



# **SENQU LOCAL MUNICIPALITY**

## **TECHNICAL SERVICES**

**PROJECT NO.**                   **04\_2024-2025T**

**FOR**                                   **ELECTRIFICATION OF HOUSEHOLDS:**  
**MOUNTAINVIEW WARD 10**

**VOLUME 2**

# **TENDER DRAWINGS**

**JANUARY 2025**

**DRAWINGS COMPILED FOR:**

THE MUNICIPAL MANAGER

SENQU LOCAL MUNICIPALITY  
19 Murray Street  
Lady Grey  
9755

Tel: (051) 603 1449  
Email: [vanzylt@senqu.gov.za](mailto:vanzylt@senqu.gov.za)



**DRAWINGS COMPILED BY:**

THEWO & SMMMS - JV



**Sigodi Marah Martin**  
Management Support  
Development & Engineering Consultants

58 Brebner Road  
Westdene  
Bloemfontein  
9301

Tel: +27 (051) 430 1321

Email: [pmo@thewo.co.za](mailto:pmo@thewo.co.za)

## DRAWING LIST

<u>NO.</u>	<u>DESCRIPTION</u>	<u>PAGE NO.</u>
	COVER PAGE .....	1
	2416-MV-E-T-101: DRAWING LIST.....	2
 <b><u>GENERAL PLANS</u></b>		
1.	2417-MV-E-T-101: MOUNTAIN VIEW: EXISTING ELECTRICAL INFRASTRUCTURE.....	3
2.	2417-MV-E-T-102: ZWELITSHA: EXISTING ELECTRICAL INFRASTRUCTURE.....	4
3.	0316 MV RETICULATION – STRAIN ASSEMBLY - (800MM PHASE SPACING) 2500 WOOD CROSSARM / POLE.....	5
4.	0317 MV RETICULATION – STRAIN ASSEMBLY – 2500 / 3500 / 1500 WOOD CROSSARM /POLE.....	7
5.	0342 LV & MV RETICULATION -STRUT ASSEMBLY – FLAT 45 DEG. BRACKET – 7M AND 9M POLES.....	8
6.	0360 LV / SERVICE RETICULATION.....	9
7.	0399 MV RETICULATION – EQUIPMENT MOUNTING ASSEMBLY ANTI-CLIMBING DEVICE – BARBED WIRE FOR STAY ASSEMBLY.....	14
8.	0637 EARTHING (ALTERNATIVE 1) – LV ABC RETICULATION EARTHING (AT TRANSFORMER).....	16
9.	1100 LV RETICULATION - 3 PHASE BARE NUETRAL ABC SUSPENSION ASSEMBLY (0° -30°) WOOD POLE.....	18
10.	1120 LV RETICULATION - 3 PHASE BARE NEUTRAL ABC TERMINAL ASSEMBLY WOOD POLE.....	19
11.	1121 LV RETICULATION - 3 PHASE BARE NEUTRAL ABC STRAIN ASSEMBLY (0° - 60°) WOOD POLE.....	20
12.	1122 LV RETICULATION - 3 PHASE BARE NEUTRAL ABC STRAIN ASSEMBLY (60° - 90°) WOOD POLE.....	21
13.	1140 LV RETICULATION - 3 PHASE BARE NEUTRAL ABC T-OFF ASSEMBLY FROM INTERMEDIATE WOOD POLE.....	22
14.	1141 LV RETICULATION – 3 PHASE BARE NEUTRAL ABC CROSS INTERMEDIATE –INTERMEDIATE ASSEMBLY WOOD POLE.....	23
15.	1142 LV RETICULATION – 3 PHASE ABC BARE NEUTRAL T-OFF ASSEMBLY FROM STRAIN WOOD POLE.....	24
16.	1143 LV RETICULATION – 3 PHASE BARE NEUTRAL ABC CROSS INTERMEDIATE – STRAIN ASSEMBLY WOOD POLE.....	25
17.	1740 MV 3 PHASE - DELTA / 2,5M WOOD CROSSARM - INTERMEDIATE - 0° DEVIATION.....	26
18.	1743 MV 3 PHASE - DELTA / 2,5M WOOD CROSSARM - STRAIN - 0° DEVIATION.....	28
19.	1744 MV 3 PHASE - DELTA / 2,5M WOOD CROSSARM - STRAIN - MEDIUM (1° - 60°) DEVIATION.....	30
20.	1746 MV THREE PHASE – DELTA – 2500 WOODEN CROSSARM STRAIN – TERMINAL(OPTION A).....	31
21.	1849 EQUIPMENT LINKS – CUT/OUTS OR DISCONNECTORS 2500 WOOD CROSSARM /SINGLE POLE.....	33
22.	1866 MV RETICULATION – TRANSFORMER 5- 100KVA SINGLE POLE MOUNTED 'OUTOF- LINE' GENERAL ARRANGEMENT.....	34

CLIENT:



19 Murray Street  
Lady Grey  
9755  
Tel: (051) 603 1449  
Email: vanzyit@senqu.gov.za

CONSULTANT:



58 Brebner Road  
Westdene  
Bloemfontein  
9301  
Tel: +27 (051) 430 1321  
Email: pmo@thewo.co.za

DESIGN BY:

Z.D

DRAWN BY:

Y.P

CHECKED BY:

M.N

APPROVED BY:

Z.D

REVISIONS

REV	DATE	DESCRIPTION	BY
0	2025-01-23	ISSUED FOR TENDER	L.M.

PROJECT NAME

**ELECTRIFICATION OF HOUSEHOLDS:  
MOUNTAINVIEW WARD 10**

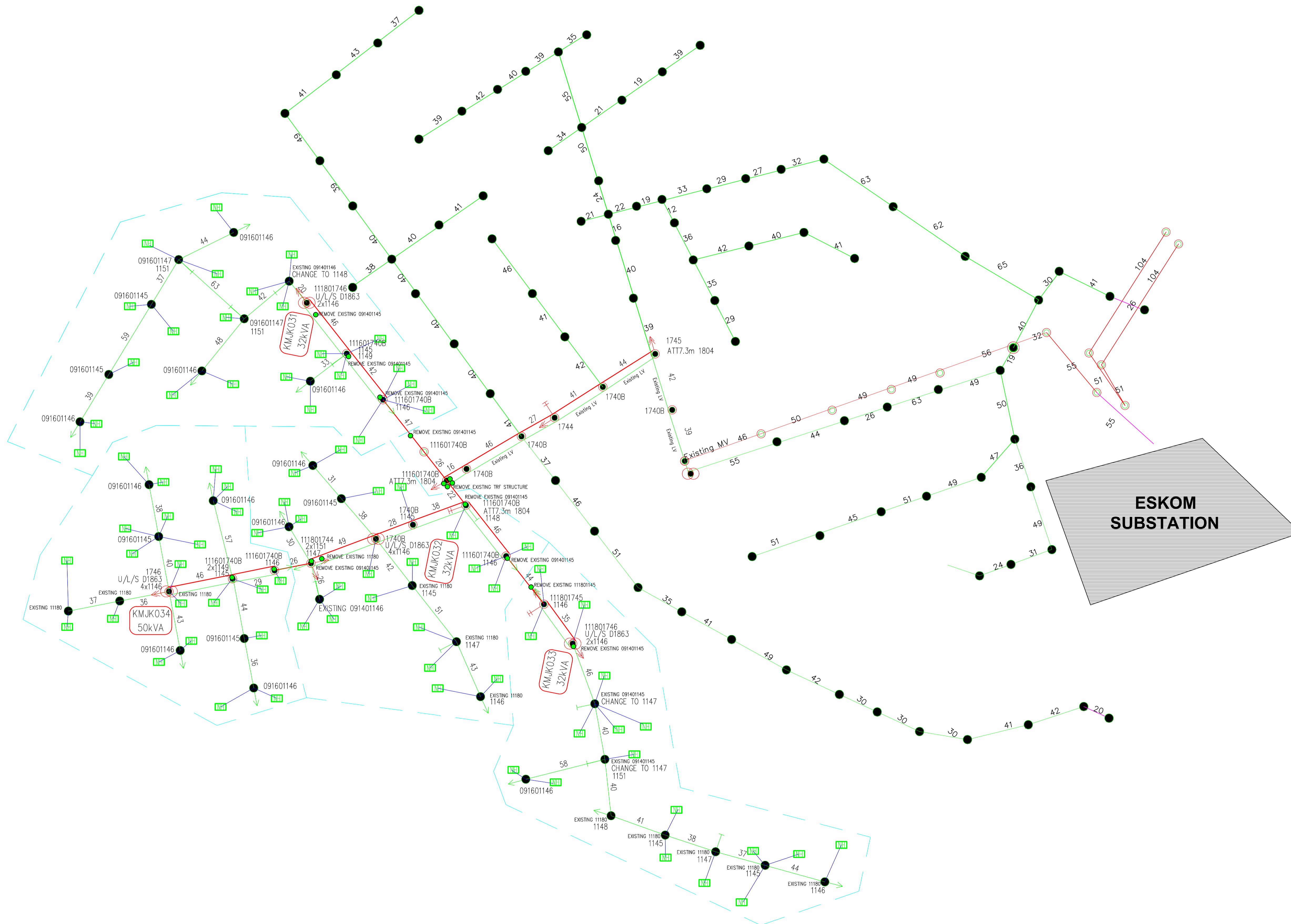
TITLE

DRAWING LIST

PROJECT STATUS:

**TENDER**

DATE	SCALE	SHEET	REV	A1
2025-01-23	N.T.S.	1 OF 1	0	A1
DWG NO		2416-MV-E-T-101		



ELECTRICAL LEGEND

LEGEND SCHEDULE

- Stay wire
- LV stay wire
- 11m Strut pole
- 
- Transformer
- 35mm ABC
- Fox conductor
- Airdac conductor
- 11m MV pole
- 9m LV pole
- House connection

NOTE:

THEWO & SMMS - JV  
 58 Brebner Road  
 Westdene  
 Bloemfontein  
 9301  
 Tel: +27 (051) 430 1321  
 Email: PMO@thewo.co.za

CONSULTANT  

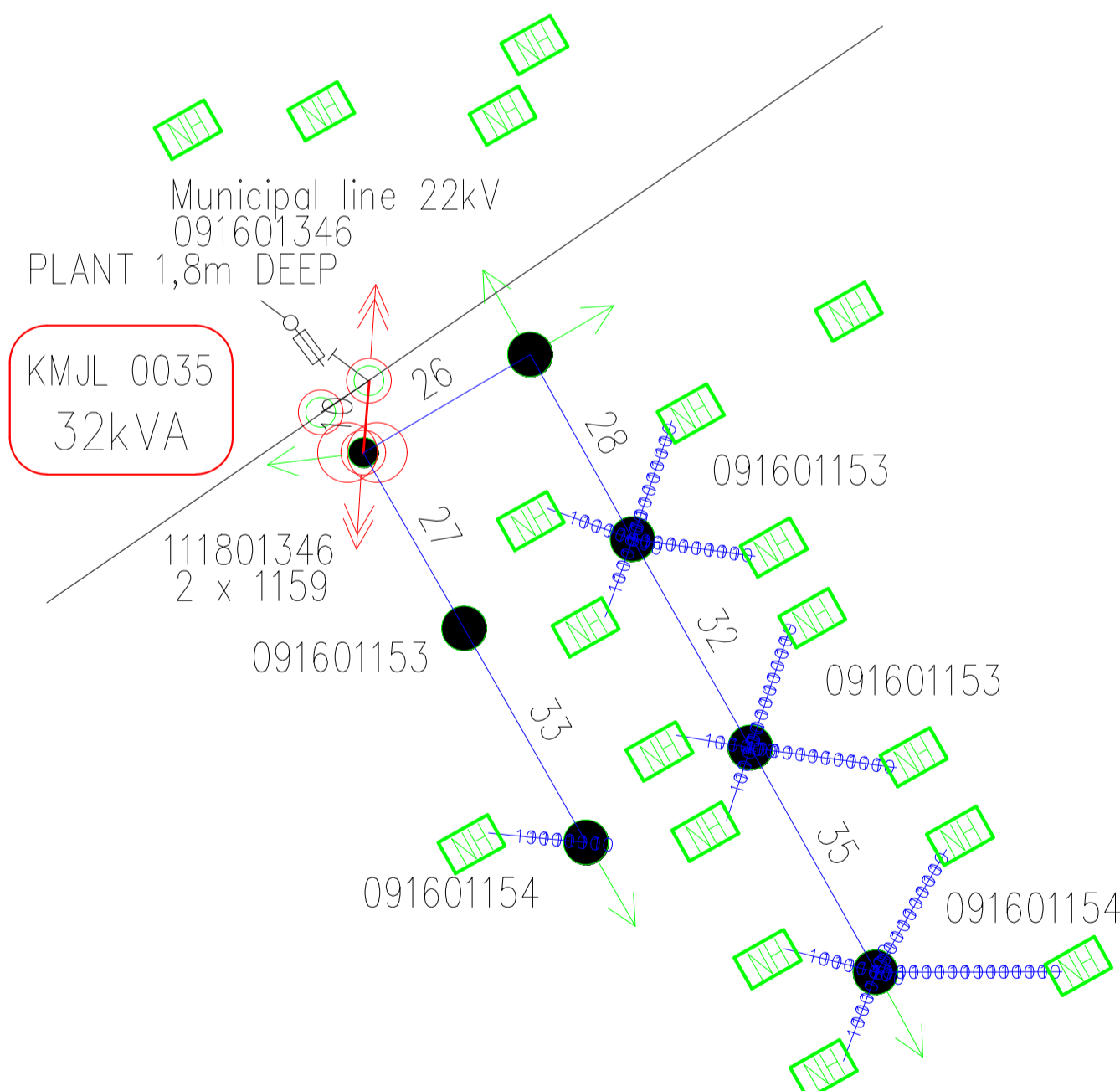
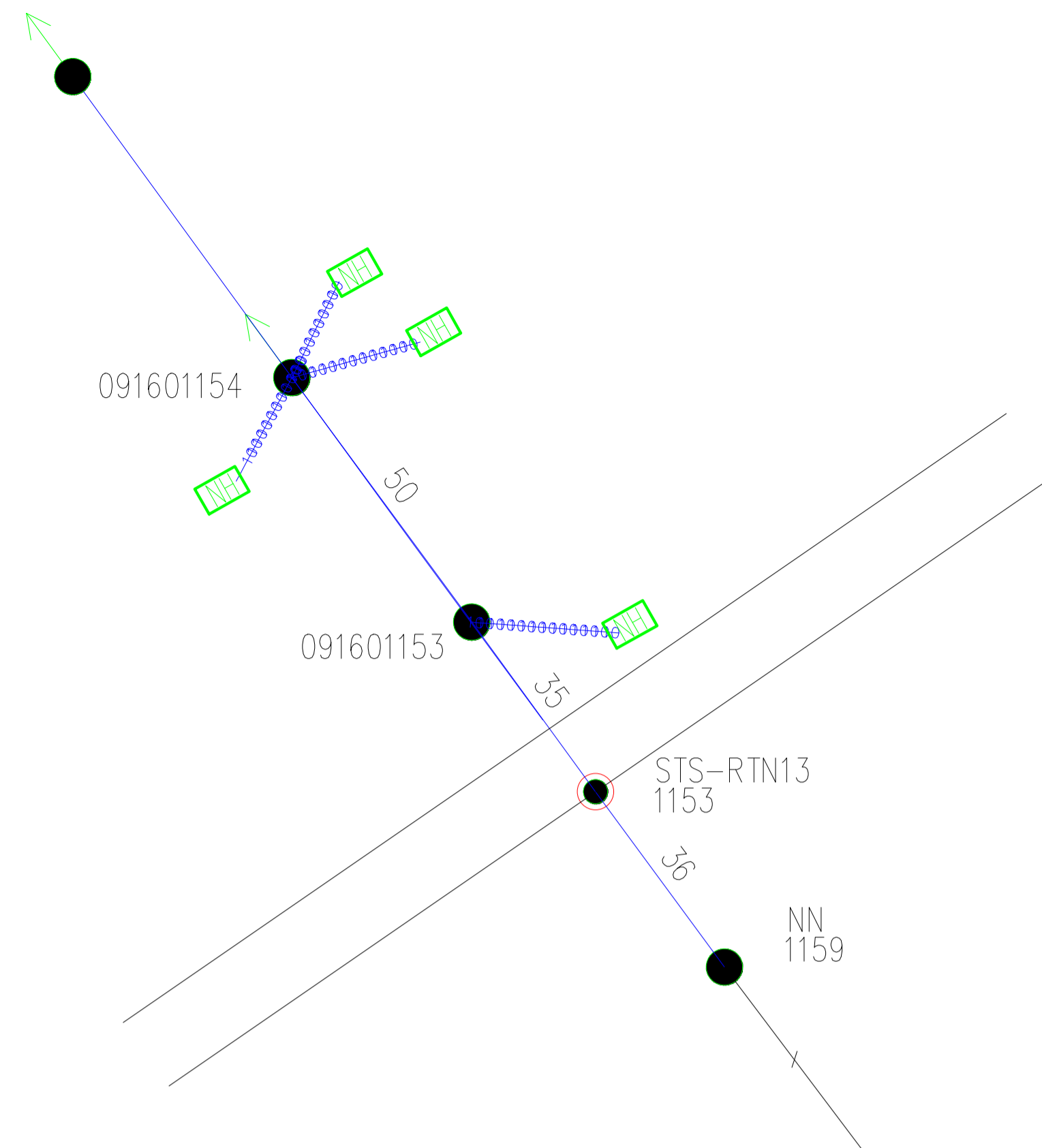
 19 Murray Street  
 Lady Grey  
 9755  
 Tel: (051) 603 1449  
 Email: vanzyt@senqu.gov.za

CLIENT		SHEET SIZE
DESIGNED	Z. D.	A1
DRAWN	Y.P.	SCALE
VERIFIED	M.N.	N.T.S
DATE	28-11-2024	STATUS LEGEND
		I = INFORMATION
		C = CONSTRUCTION
		AB = AS BUILT

**PROJECT**  
 ELECTRIFICATION OF HOUSEHOLDS IN MOUNTAIN VIEW, STERKSPRUIT

**DRAWING TITLE**  
 MOUNTAIN VIEW: EXISTING ELECTRICAL INFRASTRUCTURE

PROJECT NUMBER	DISCIPLINE	DRAWING NUMBER	STATUS	REV.
2417	ELECTRICAL	2417-MV-E-T-101	T	A



LEGEND:

ELECTRICAL LEGEND

LEGEND SCHEDULE

↑↑ MV double stay

↑ LV stay wire

⊥ 11m Strut pole

↑↑

⊙ Transformer

| 35mm ABC

| Fox conductor

⊕ Airdac conductor

⊙ 11m MV pole

● 9m LV pole

NOTES:

NOTE 1  
There are two 22kV lines next to each other take note of the municipal line and do not connect on STS-RTN11 as it Eskom network.

THEWO & SMMS - JV  
58 Brebner Road  
Westdene  
Bloemfontein  
9301  
Tel: +27 (051) 430 1321  
Email: PMO@thewo.co.za

**THEWO**  
SIGNAL MANAGEMENT  
Sigodi Marah Martin  
Management Support  
Management & Engineering Consultants

CONSULTANT  
19 Murray Street  
Lady Grey  
9755  
Tel: (051) 603 1449  
Email: vanzyllt@senqu.gov.za



CLIENT		SHEET SIZE
DESIGNED	Z. D.	<b>A1</b>
DRAWN	Y.P.	SCALE <b>N.T.S</b>
VERIFIED	M.N.	STATUS LEGEND
VALIDATED	28-11-2024	I = INFORMATION T = TENDER C = CONSTRUCTION AB = AS BUILT

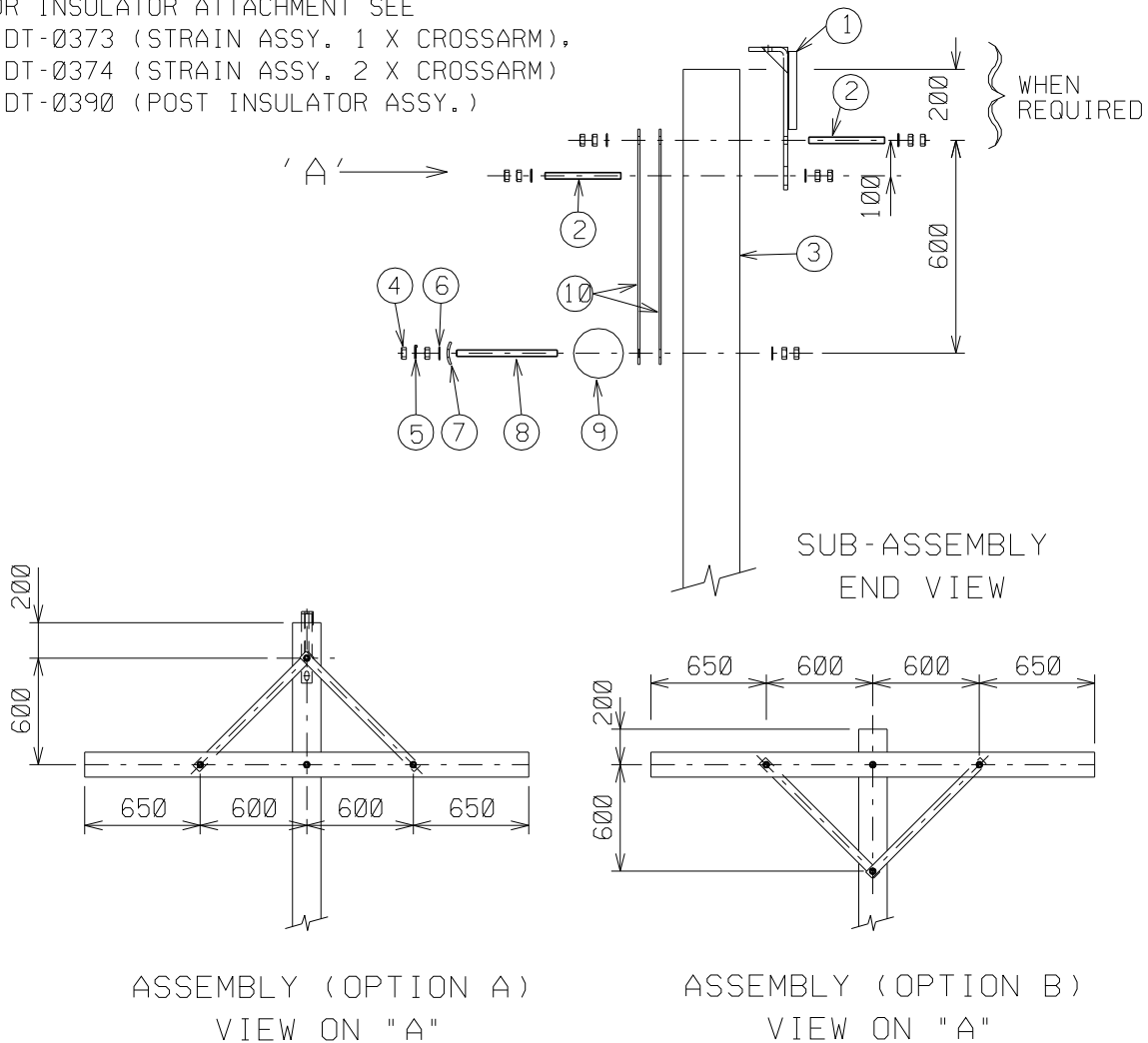
**PROJECT**  
ELECTRIFICATION OF HOUSEHOLDS IN MOUNTAIN VIEW, STERKSPRUIT

**DRAWING TITLE**  
ZWELITSHA: EXISTING ELECTRICAL INFRASTRUCTURE

PROJECT NUMBER	DISCIPLINE	DRAWING NUMBER	STATUS	REV.
2417	ELECTRICAL	2417-MV-E-T-102	T	A

NOTE :

FOR INSULATOR ATTACHMENT SEE  
 D-DT-0373 (STRAIN ASSY. 1 X CROSSARM),  
 D-DT-0374 (STRAIN ASSY. 2 X CROSSARM)  
 D-DT-0390 (POST INSULATOR ASSY.)



REF	DESCRIPTION	DRAWING NO.	REF	DESCRIPTION	DRAWING NO.
1	BRACKET POLE TOP	(D-DT-3046)	6	BONDING CLIP	(D-DT-3033)
2	THREADED ROD M20X350	(D-DT-3015)	7	WASHER CURVED M20X65	(D-DT-3014)
3	WOODEN POLE		8	THREADED ROD M20X450	(D-DT-3015)
4	NUT M20	(D-DT-3173)	9	WOODEN X-ARM 2.5M	(D-DT-0061)
5	WASHER FLAT ROUND M20	(D-DT-3014)	10	TIE STRAP 910MM	(D-DT-3031)

3	POLE TOP BRACKET MOVED DOWN 100mm AND INSULATOR ATTACHMENT REMOVED	P.A.V.	B. HILL	B. HILL	08.11.2004	
2	BONDING CLIP REPOSITIONED AND POLE TOP BRACKET CORRECTED	P.A.V.	B. HILL	B. HILL	06.10.2003	
1	ITEM 2 COACH SCREW CHANGED FOR M20x350 THREADED ROD	P.A.V.	B. HILL	A.BEKKER	18.12.2001	
REV	REVISION DESCRIPTION	BY	CHKD	AUTH	DATE	PROJECT NO.



AUTH: B.BRANFIELD

DATE: 11.01.1999

CHKD: B.BRANFIELD

DATE: 11.01.1999

DRAWN: M. SMALL  
P.A.VERMAAK

DATE: 03.08.1998

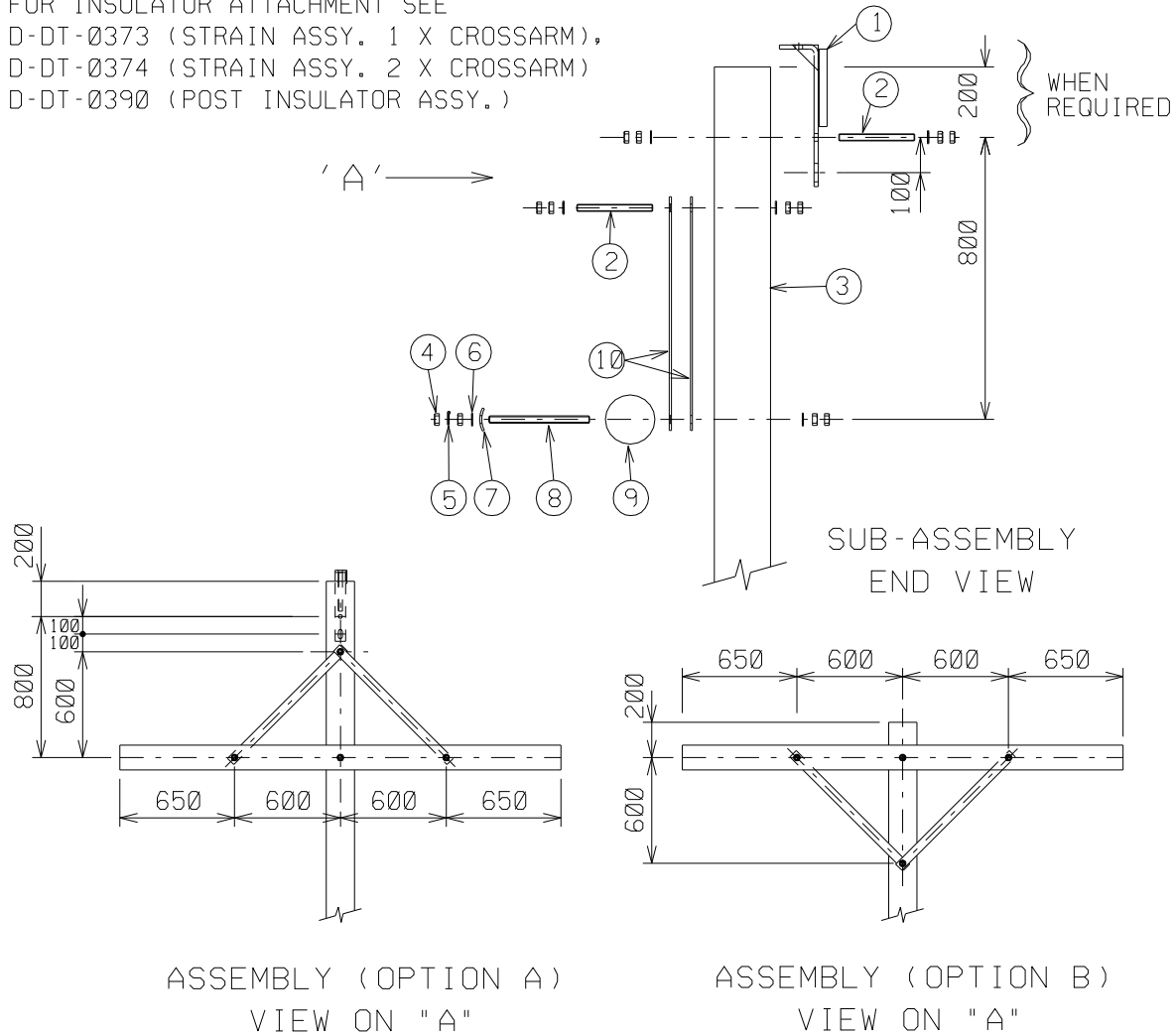
MV RETICULATION  
 STRAIN ASSEMBLY  
 (600mm PHASE SPACING)  
 2500 WOOD CROSSARM / POLE

D-DT-0316

SET	SHEET	REVISION
2	1	3

NOTE :

FOR INSULATOR ATTACHMENT SEE  
 D-DT-0373 (STRAIN ASSY. 1 X CROSSARM),  
 D-DT-0374 (STRAIN ASSY. 2 X CROSSARM)  
 D-DT-0390 (POST INSULATOR ASSY.)



REF	DESCRIPTION	DRAWING NO.	REF	DESCRIPTION	DRAWING NO.
1	BRACKET POLE TOP	(D-DT-3046)	6	BONDING CLIP	(D-DT-3033)
2	THREADED ROD M20X350	(D-DT-3015)	7	WASHER CURVED M20X65	(D-DT-3014)
3	WOODEN POLE		8	THREADED ROD M20X450	(D-DT-3015)
4	NUT M20	(D-DT-3173)	9	WOODEN X-ARM 2.5M	(D-DT-0061)
5	WASHER FLAT ROUND M20	(D-DT-3014)	10	TIE STRAP 910MM	(D-DT-3031)

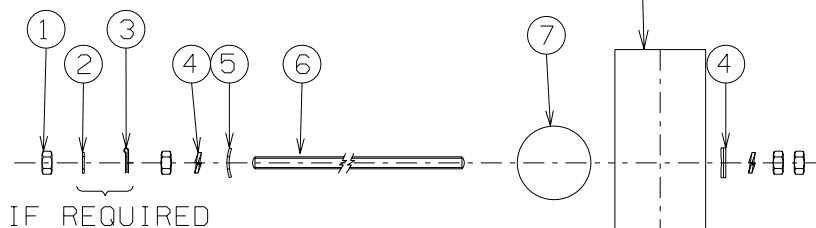
3	POLE TOP BRACKET MOVED DOWN 100mm AND INSULATOR ATTACHMENT REMOVED	P.A.V.	B. HILL	B. HILL	08.11.2004	
2	BONDING CLIP REPOSITIONED AND POLE TOP BRACKET CORRECTED	P.A.V.	B. HILL	B. HILL	06.10.2003	
1	ITEM 2 COACH SCREW CHANGED FOR M20x350 THREADED ROD	P.A.V.	B. HILL	A.BEKKER	18.12.2001	
REV	REVISION DESCRIPTION	BY	CHKD	AUTH	DATE	PROJECT NO.

		MV RETICULATION STRAIN ASSEMBLY (800mm PHASE SPACING) 2500 WOOD CROSSARM / POLE								
AUTH: B.BRANFIELD		<div style="font-size: 2em; font-weight: bold; margin-bottom: 10px;">D-DT-0316</div> <table border="1" style="margin-left: auto; margin-right: auto;"> <thead> <tr> <th>SET</th> <th>SHEET</th> <th>REVISION</th> </tr> </thead> <tbody> <tr> <td style="text-align: center;">2</td> <td style="text-align: center;">2</td> <td style="text-align: center;">3</td> </tr> </tbody> </table>			SET	SHEET	REVISION	2	2	3
SET	SHEET				REVISION					
2	2				3					
DATE: 11.01.1999										
CHKD: B.BRANFIELD										
DATE: 11.01.1999										
DRAWN: M. SMALL P.A.VERMAAK										
DATE: 03.08.1998										

A

A

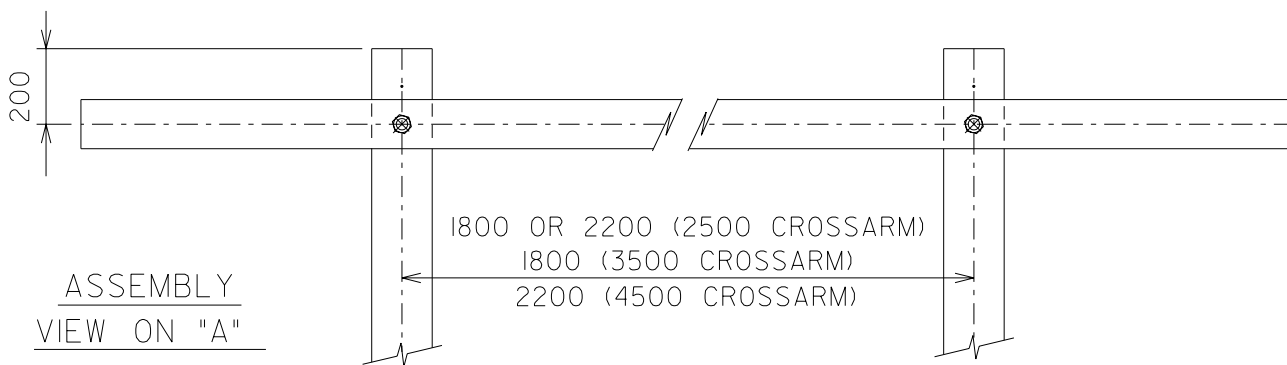
"A" →



SUB-ASSEMBLY  
SIDE VIEW

B

B



ASSEMBLY  
VIEW ON "A"

C

C

REF	DESCRIPTION	DRAWING NO.
1	NUT M20	(D-DT-3173)
2	WASHER ROUND FLAT M20	(D-DT-3014)
3	BONDING CLIP	(D-DT-3033)
4	SPRING WASHER M20	
5	WASHER CURVED M20x65	(D-DT-3014)
6	THREADED ROD M20x450	(D-DT-3015)
7	WOODEN CROSSARM 2,5m	(D-DT-0061)
	WOODEN CROSSARM 3,5m	(D-DT-0063)
	WOODEN CROSSARM 4,5m	(D-DT-0064)
8	WOODEN POLE	

NOTE :  
2500 CROSSARM : FOR APPLICATION  
OF EQUIPMENT LINKS ONLY.

D

D

1	SPRING WASHERS AND 2500 CROSSARM ADDED	P.A.V.	R.THERON	R.THERON	09.02.04	
---	--	--------	----------	----------	----------	--

E

E

REV	REVISION DESCRIPTION	BY	CHKD	AUTH	DATE	PROJECT NO.
-----	----------------------	----	------	------	------	-------------

F

F



AUTH: B.BRANFIELD

DATE: 11.01.1999

CHKD: B.BRANFIELD

DATE: 11.01.1999

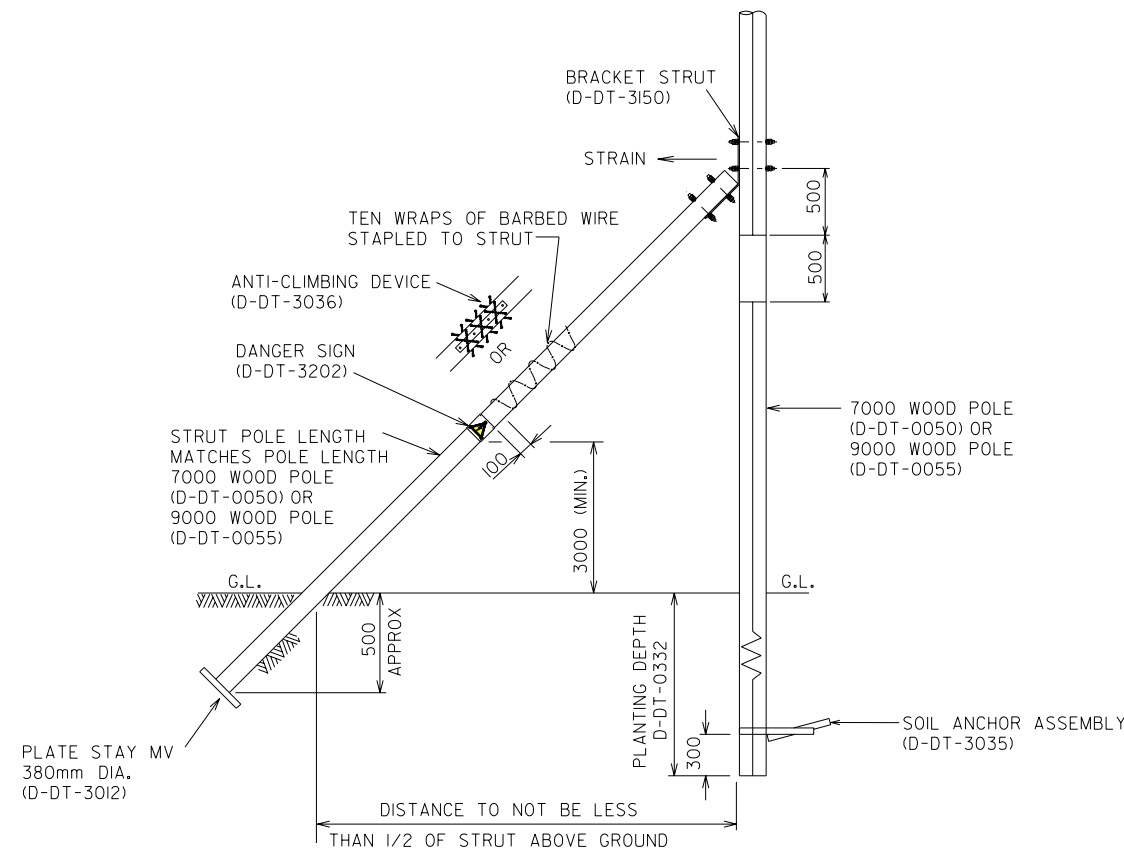
DRAWN: M. SMALL  
P.A.V.

DATE: 03.08.1998

MV RETICULATION  
STRAIN ASSEMBLY  
2500 / 3500 / 4500 WOOD CROSSARM / POLE

D-DT-0317

SET	SHEET	REVISION
1	1	1



- NOTES:-
1. ALL WOOD CUT OR DRILLED ON SITE TO BE TREATED WITH CREOSOTE.
  2. STRUTS ARE NOT A RECOMMENDED SOLUTION AND SHOULD BE INSTALLED ONLY AS LAST RESORT.
  3. COMPACTION OF POLE SEE SPEC. DTC 0106
  4. FOR INSULATION COORDINATION SEE D-DT-0310.

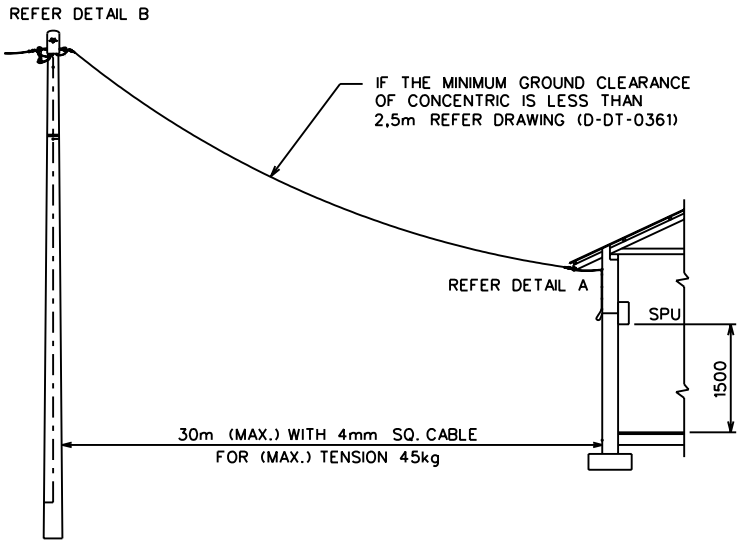
REV	REVISION DESCRIPTION	BY	CHKD	AUTH	DATE	PROJECT NO.
3	SWIVEL STRUT BRACKET REMOVED AND REFERENCE TO LV ADDED TO TITLE BLOCK	P.A.V.	B.HILL	B.HILL	17.08.2004	
2	STRUT BRACKET CHANGED TO SWIVEL STRUT BRACKET D-DT-3150	P.A.V.	B.HILL	B.HILL	27.01.2004	
1	REFERENCE TO MV REMOVED FROM TITLE BLOCK, INSULATION SHOWN AND DANGER SIGN ADDED	P.A.V.	B.HILL	B.HILL	01.08.2003	

AUTH:	B.BRANFIELD
DATE:	11/01/1999
CHKD:	B.BRANFIELD
DATE:	11/01/1999
DRAWN:	P.A.VERMAAK
DATE:	14/19/1998

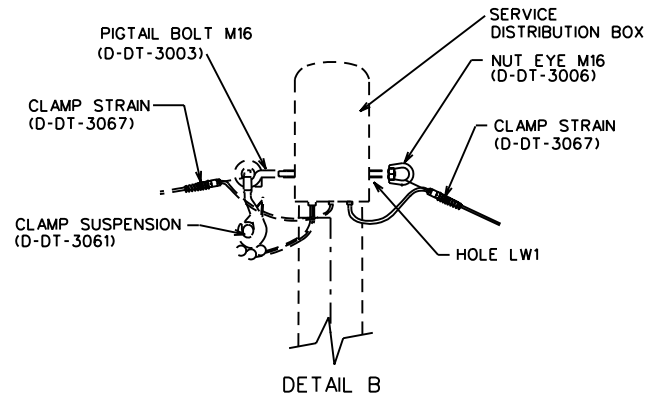
LV & MV RETICULATION  
STRUT ASSEMBLY  
FLAT 45 DEG. BRACKET  
7m AND 9m POLES

D-DT-0342	SET	SHEET	REVISION
	1	1	3

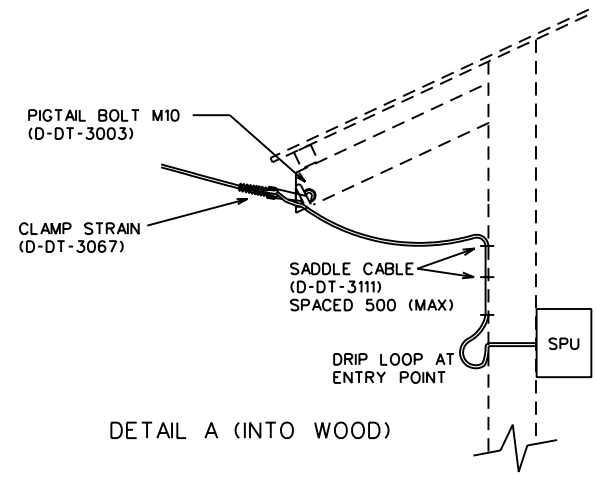




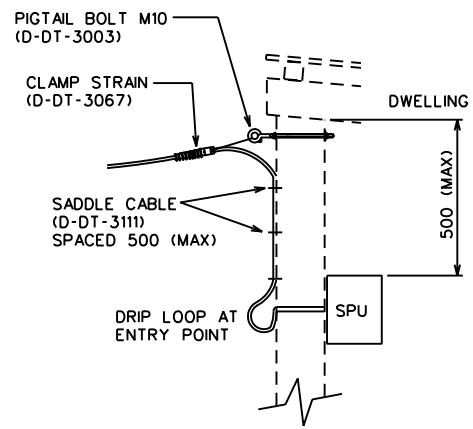
HOUSE CONNECTION FROM 7m POLE



DETAIL B



DETAIL A (INTO WOOD)



DETAIL A (INTO BRICK WALL)

- NOTE:
1. SITE CONDITIONS TO DETERMINE HOW CONNECTION WILL BE MADE.
  2. BRICK AND WOOD WALL MUST BE SUITABLE FOR A MAX. LOAD OF 45kg.
  3. METER MAY BE MOUNTED INSIDE OR OUTSIDE THE DWELLING.

REV	REVISION DESCRIPTION	BY	CHKD	AUTH	DATE	PROJECT NO.
12	LOGO CHANGED AS PER NEW CORPORATE ID	AKM	P.A.V.	P.A.V.	26/10/04	
11	DRIP LOOP ADDED FOR GALV. PIPE CONNECTION	P.A.V.	T.GILLARD	A. BEKKER	13/12/2001	
10	REED HOUSE ECU/ED ATTACHMENT DETAILS ADDED	P.A.V.	T.GILLARD	A. BEKKER	07/06/2001	
9	GRASS ROOF ATTACHMENT DETAILS ADDED	P.A.V.	T.GILLARD	A. BEKKER	07/02/2001	



LV /SERVICE RETICULATION

AUTH: S.A. CILLIERS

SERVICE CONNECTION TO HOUSE

DATE: 10/01/1994

CHKD: NJVR

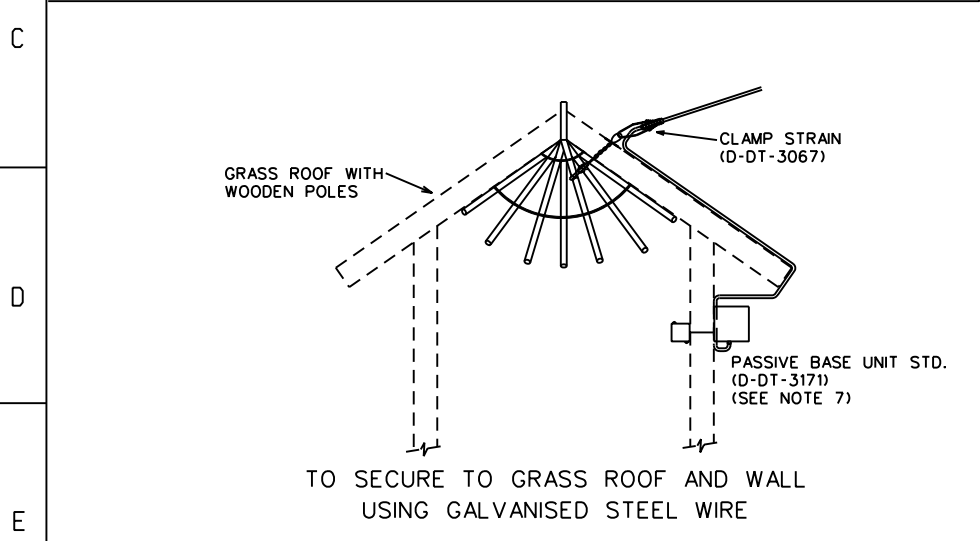
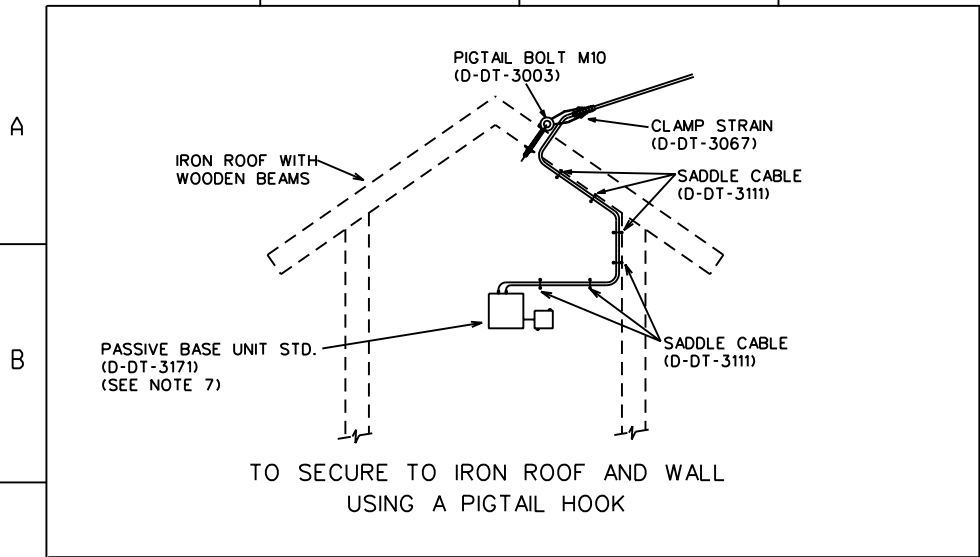
DATE: 01/03/1993

DRAWN: v BOSMAN

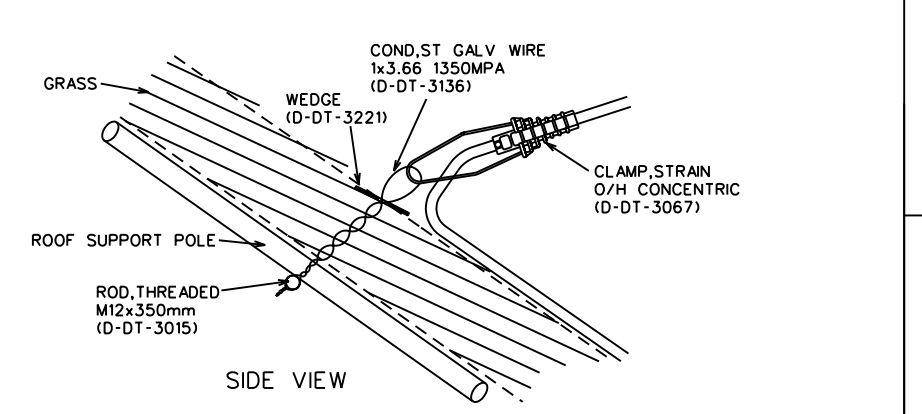
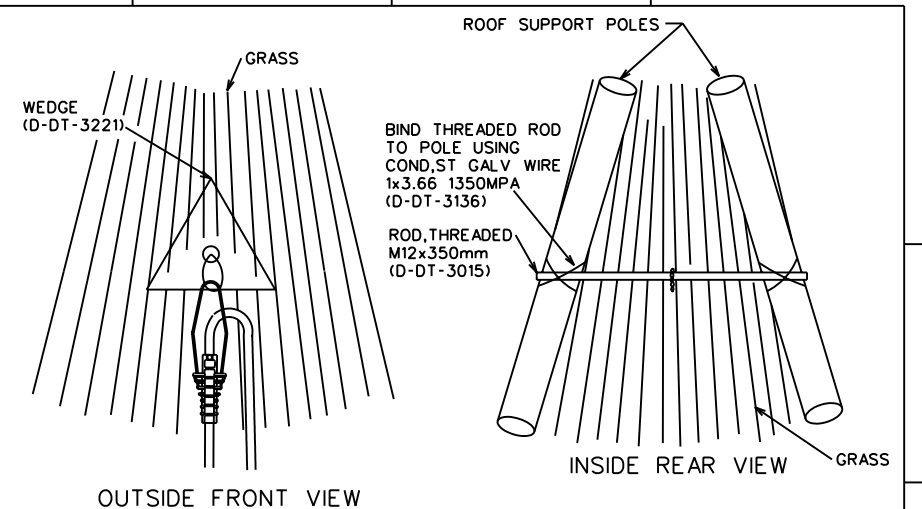
DATE: 10/10/1991

D-DT-0360

SET	SHEET	REVISION
5	1	12



- NOTE:
1. PRIOR APPROVAL NEEDS TO BE OBTAINED FROM THE LOCAL ESKOM ENGINEERING DEPARTMENT BEFORE THIS METHOD IS APPLIED IN EACH REGION.
  2. ATTACH TO THE ROOF THEREBY ELIMINATING THE USE OF A SERVICE POLE.
  3. ROOF STRUCTURE MUST BE SUITABLE FOR MAXIMUM SPAN TENSION.
  4. SILICONE SEALANT SHALL BE APPLIED AT THE ENTRY POINT ON THE ROOF TO PREVENT WATER INGRESS INTO THE PREMISES.
  5. NO SECONDARY DAMAGE SHALL OCCUR TO THE PREMISES.
  6. METER MAY BE MOUNTED INSIDE OR OUTSIDE THE DWELLING.



12	LOGO CHANGED AS PER NEW CORPORATE ID	AKM	P.A.V.	P.A.V.	26/10/04	
11	DRIP LOOP ADDED FOR GALV. PIPE CONNECTION		P.A.V.	T.GILLARD	A. BEKKER	13/12/2001
10	REED HOUSE ECU/ED ATTACHMENT DETAILS ADDED		P.A.V.	T.GILLARD	A. BEKKER	07/06/2001
9	GRASS ROOF ATTACHMENT DETAILS ADDED		P.A.V.	T.GILLARD	A. BEKKER	07/02/2001
REV	REVISION DESCRIPTION	BY	CHKD	AUTH	DATE	PROJECT NO.

	LV /SERVICE RETICULATION					
	SERVICE CONNECTION TO HOUSE					
	AUTH: S.A. CILLIERS					
	DATE: 10/01/1994					
CHKD: NJVR						
DATE: 01/03/1993						
DRAWN: v BOSMAN		D-DT-0360				
DATE: 10/10/1991						
		SET	SHEET	REVISION		
		5	2	12		

1 2 3 4 5 6 7 8

A

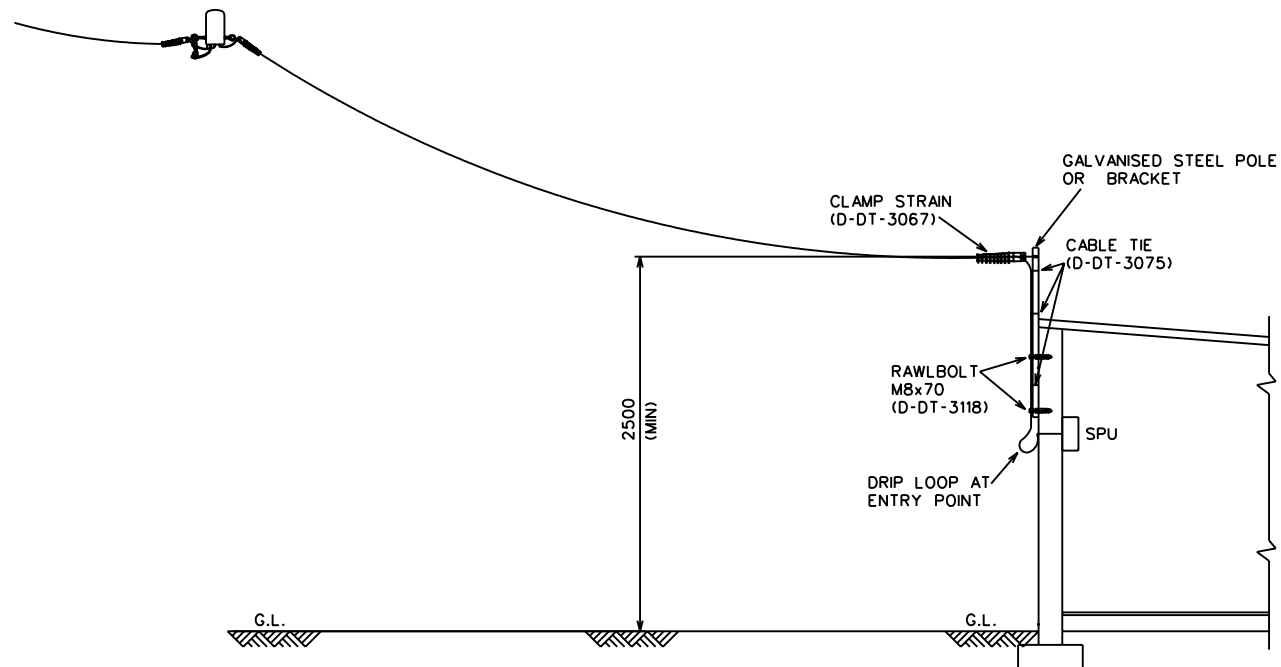
B

C

D

E

F



NOTE:  
 1. ON BRICK WALL AND CONCRETE WALL A GALVANISED STEEL POLE OR BRACKET CAN BE ATTACHED TO THE CUSTOMERS HOUSE TO MAINTAIN THE 2,5m CLEARANCE, WITHOUT THE USE OF A SERVICE POLE.  
 2. METER MAY BE MOUNTED INSIDE OR OUTSIDE THE DWELLING.

12	LOGO CHANGED AS PER NEW CORPORATE ID	AKM	P.A.V.	P.A.V.	26/10/04	
11	DRIP LOOP ADDED FOR GALV. PIPE CONNECTION		P.A.V.	T.GILLARD	A. BEKKER	13/12/2001
10	REED HOUSE ECU/ED ATTACHMENT DETAILS ADDED		P.A.V.	T.GILLARD	A. BEKKER	07/06/1999
9	GRASS ROOF ATTACHMENT DETAILS ADDED		P.A.V.	T.GILLARD	A. BEKKER	07/02/2001
REV	REVISION DESCRIPTION	BY	CHKD	AUTH	DATE	PROJECT NO.



AUTH: S.A. CILLIERS  
 DATE: 10/01/1994  
 CHKD: NJVR  
 DATE: 01/03/1993  
 DRAWN: v BOSMAN  
 DATE: 10/10/1991

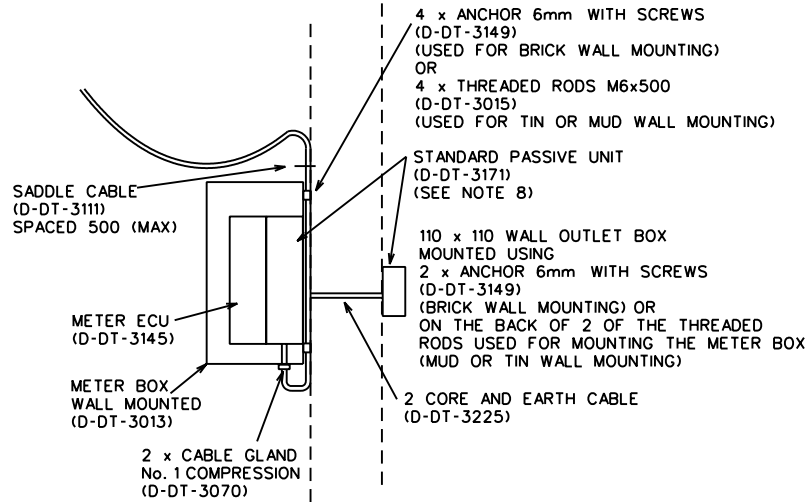
LV /SERVICE RETICULATION

SERVICE CONNECTION TO HOUSE  
 (GALVANISED PIPE TO GAIN HEIGHT)

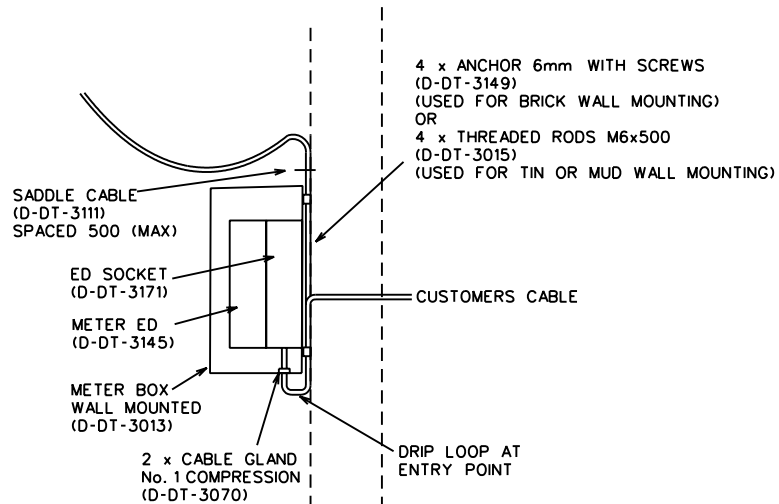
D-DT-0360	SET	SHEET	REVISION
	5	3	12

1 2 3 4 5 6 7 8 A3L

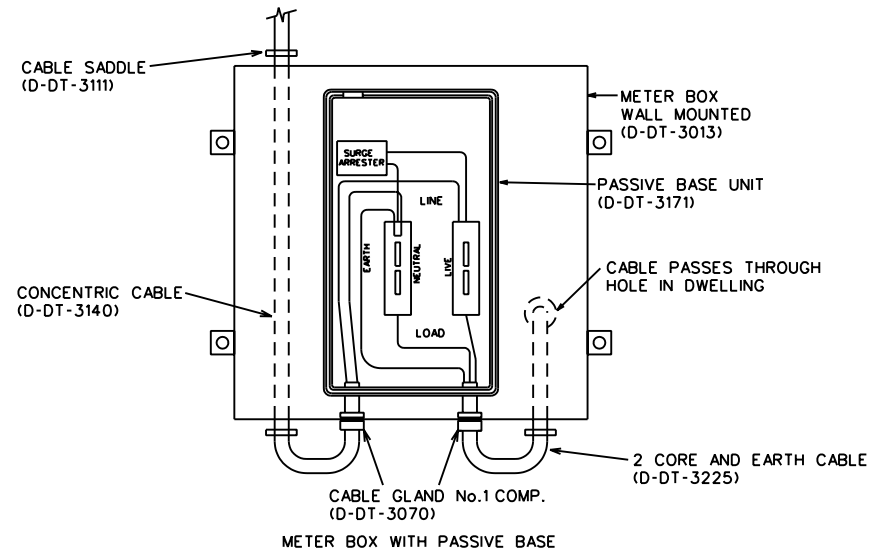
A  
B  
C  
D  
E  
F



MOUNTING OF ECU OUTSIDE OF DWELLING



MOUNTING OF ED OUTSIDE OF DWELLING



NOTE:

1. CABLE ENTRY INTO METER BOX VIA NON-METALLIC CABLE GLAND AT THE BASE OF BOX.
2. THIS METHOD SHALL ONLY BE APPLIED WHERE THE WALL CONSTRUCTION CAN WITHSTAND THE WEIGHT OF THE METER BOX.
3. 2 CORE AND EARTH CABLE TO BE USED FROM THE ED BASE TO THE WALL OUTLET BOX.
4. THE STANDARD PASSIVE UNIT IS SPLIT WITH THE ED BASE OUTSIDE THE PREMISES AND THE WALL OUTLET BOX INSIDE THE PREMISES.
5. THE ENTRY/EXIT POINTS FROM THE METER BOX AND WALL OUTLET BOX SHALL BE WATER PROOF.
6. A FULL CERTIFICATE OF COMPLIANCE IS REQUIRED FOR THIS INSTALLATION.
7. FOR CONCENTRIC CABLE ATTACHMENT REFER TO D-DT-0360 SHEETS 1 AND 2.
8. THE STANDARD PASSIVE UNIT CONSISTS OF : 1x PASSIVE BASE AND 1x WALL OUTLET BOX.

12	LOGO CHANGED AS PER NEW CORPORATE ID	AKM	P.A.V.	P.A.V.	26/10/04	
11	DRIP LOOP ADDED FOR GALV. PIPE CONNECTION	P.A.V.	T.GILLARD	A. BEKKER	13/12/2001	
10	REED HOUSE ECU/ED ATTACHMENT DETAILS ADDED	P.A.V.	T.GILLARD	A. BEKKER	07/06/2001	
9	GRASS ROOF ATTACHMENT DETAILS ADDED	P.A.V.	T.GILLARD	A. BEKKER	07/02/2001	
REV	REVISION DESCRIPTION	BY	CHKD	AUTH	DATE	PROJECT NO.



AUTH: S.A. CILLIERS  
DATE: 10/01/1994  
CHKD: NJVR  
DATE: 01/03/1993  
DRAWN: v BOSMAN  
DATE: 10/10/1991

LV /SERVICE RETICULATION  
SERVICE CONNECTION TO  
BRICK, TIN AND MUD HOUSES  
WITH METER OUTSIDE

D-DT-0360

SET	SHEET	REVISION
5	4	12

1 2 3 4 5 6 7 8

A

B

C

D

E

F

A

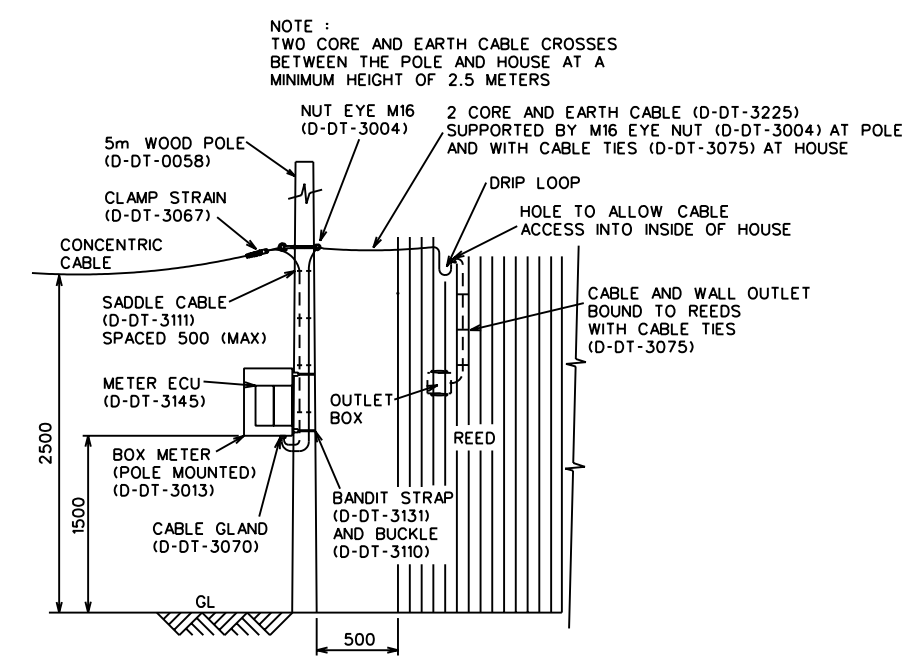
B

C

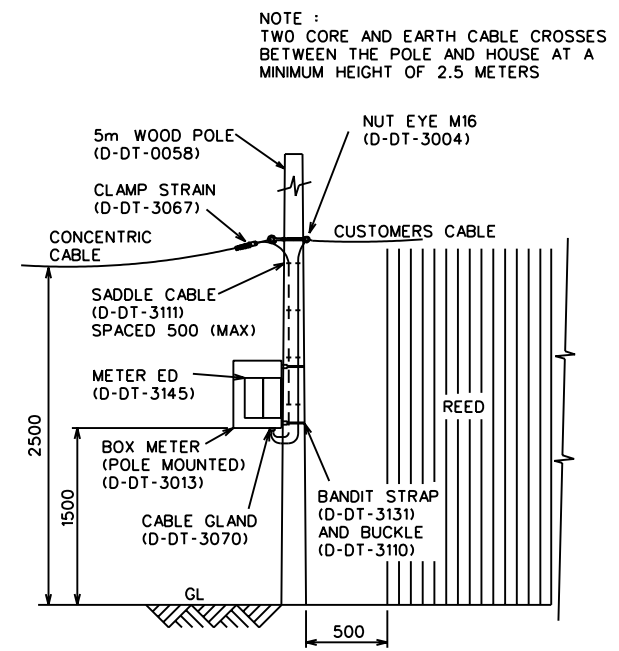
D

E

F



MOUNTING OF ECU OUTSIDE OF DWELLING



MOUNTING OF ED OUTSIDE OF DWELLING

NOTE :  
TWO CORE AND EARTH CABLE CROSSES  
BETWEEN THE POLE AND HOUSE AT A  
MINIMUM HEIGHT OF 2.5 METERS

NOTE :  
TWO CORE AND EARTH CABLE CROSSES  
BETWEEN THE POLE AND HOUSE AT A  
MINIMUM HEIGHT OF 2.5 METERS

12	LOGO CHANGED AS PER NEW CORPORATE ID	AKM	P.A.V.	P.A.V.	26/10/04	
11	DRIP LOOP ADDED FOR GALV. PIPE CONNECTION		P.A.V.	T.GILLARD	A. BEKKER	13/12/2001
10	REED HOUSE ECU/ED ATTACHMENT DETAILS ADDED		P.A.V.	T.GILLARD	A. BEKKER	07/08/2001
9	GRASS ROOF ATTACHMENT DETAILS ADDED		P.A.V.	T.GILLARD	A. BEKKER	07/02/2001
REV	REVISION DESCRIPTION	BY	CHKD	AUTH	DATE	PROJECT NO.

**Eskom**  
Distribution

AUTH: S.A. CILLIERS

DATE: 10/01/1994

CHKD: NJVR

DATE: 01/03/1993

DRAWN: v BOSMAN

DATE: 10/10/1991

LV /SERVICE RETICULATION

SERVICE CONNECTION TO REED HOUSE  
WITH METER OUTSIDE

D-DT-0360

SET	SHEET	REVISION
5	5	12

1 2 3 4 5 6 7 8 A3L

1

2

3

4

A

A

B

B

C

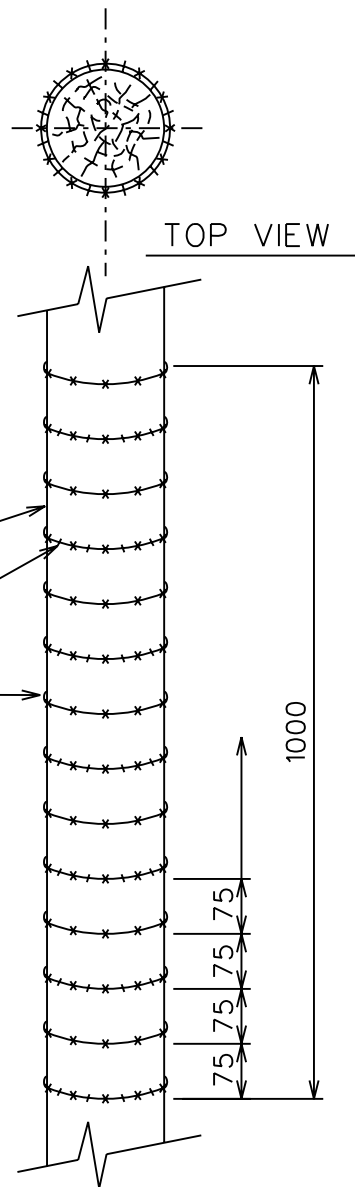
C

D

D

NOTE :

- 1. GALVANISED STAPLES INSTALLED AT EVERY SECOND TURN.
- 2. THE BOTTOM END OF THE BARBED WIRE APPLICATION WILL NOT BE LOWER THAN 3m ABOVE GROUND LEVEL.
- 4. STAY ANTI-CLIMBING DEVICE TO BE INSTALLED AS PER TECHNICAL BULLETEN 03TB08.



FRONT VIEW  
SCALE 1 : 1

REF	DESCRIPTION	DRAWING NO.
1	BARBED WIRE	(D-DT-3170)
2	GALVANISED STAPLES	(D-DT-3129)
3	WOOD POLE	

3	NOTES CHANGED	P.A.V.	B. HILL	06.09.2007
2	GALV. SPIKES REMOVED, BARBED WIRE AND GALV. STAPES ANTI-CLIMBING DEVICE ADDED	P.A.V.	B. HILL	02.12.2005

REV	REVISION DESCRIPTION	BY	CHKD	AUTH	DATE	PROJECT NO.
-----	----------------------	----	------	------	------	-------------



MV RETICULATION  
EQUIPMENT MOUNTING ASSEMBLY  
ANTI-CLIMBING DEVICE -  
BARBED WIRE

AUTH: R. THERON

DATE: 06/06/2003

CHKD: R. THERON

DATE: 06/06/2003

DRAWN: P. VERMAAK

DATE: 09/03/2003

D-DT-0399

SET

SHEET

REVISION

2

1

3

1

2

3

4 A4L

1

2

3

4

5

6

7

8

A

B

C

D

E

F

A

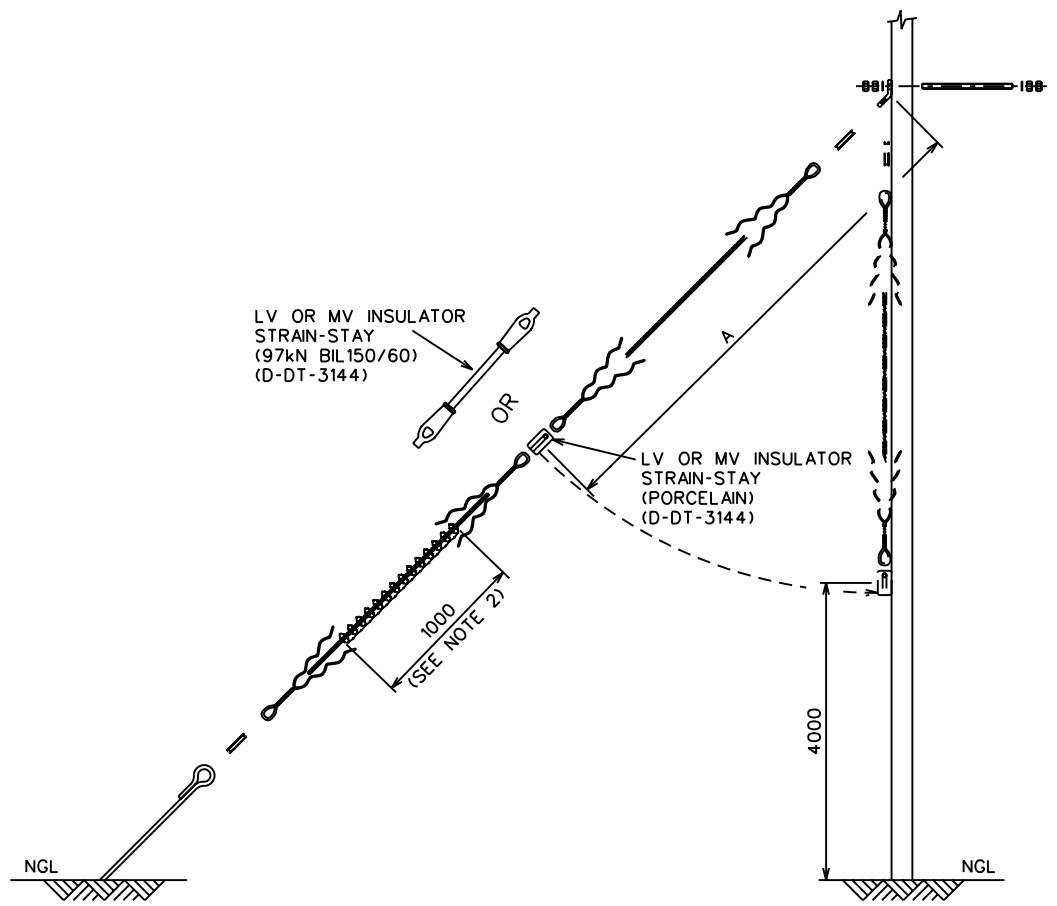
B

C

D

E

E



- NOTE:-
1. READ IN CONJUNCTION WITH STAY ASSEMBLY DRG. NO. (D-DT-0341).
  2. BARBED WIRE TO BE BOUND TOP AND BOTTOM SECURELY WITH **LINE TAP, CROSBY CLAMP OR A 4 POINT INDENT 'C' CRIMP.**
  3. BARBED WIRE TO BE WRAPPED SNUGLY AROUND THE STAY WIRE STARTING AT THE STAY INSULATOR FOR A DISTANCE OF 1m AND THEN WOUND BACK TOWARDS THE STARTING POINT. THE BOTTOM END OF THE BARBED WIRE APPLICATION WILL NOT BE LOWER THAN 3m PERPENDICULARLY ABOVE GROUND LEVEL.
  4. **STAY ANTI-CLIMBING DEVICE TO BE INSTALLED AS PER TECHNICAL BULLETEN 03TB08.**

(INFORMATION TAKEN FROM D-DT-0265)

3	NOTES CHANGED	P.A.V.	B. HILL	06.09.2007	
2	GALV. SPIKES REMOVED, BARBED WIRE AND GALV. STAPES ANTI-CLIMBING DEVICE ADDED	P.A.V.	B. HILL	02.12.2005	
REV	REVISION DESCRIPTION	BY	CHKD	AUTH	DATE
					PROJECT NO.

	<b>MV RETICULATION EQUIPMENT MOUNTING ASSEMBLY ANTI-CLIMBING DEVICE - BARBED WIRE FOR STAY ASSEMBLYS</b>					
	AUTH: R. THERON					
	DATE: 06/06/2003					
	CHKD: R. THERON					
DATE: 06/06/2003				SET	SHEET	REVISION
DRAWN: P. VERMAAK		D-DT-0399		2	2	3
DATE: 09/03/2003						

1

2

3

4

5

6

7

8

A3L

1 2 3 4 5 6 7 8

A

B

C

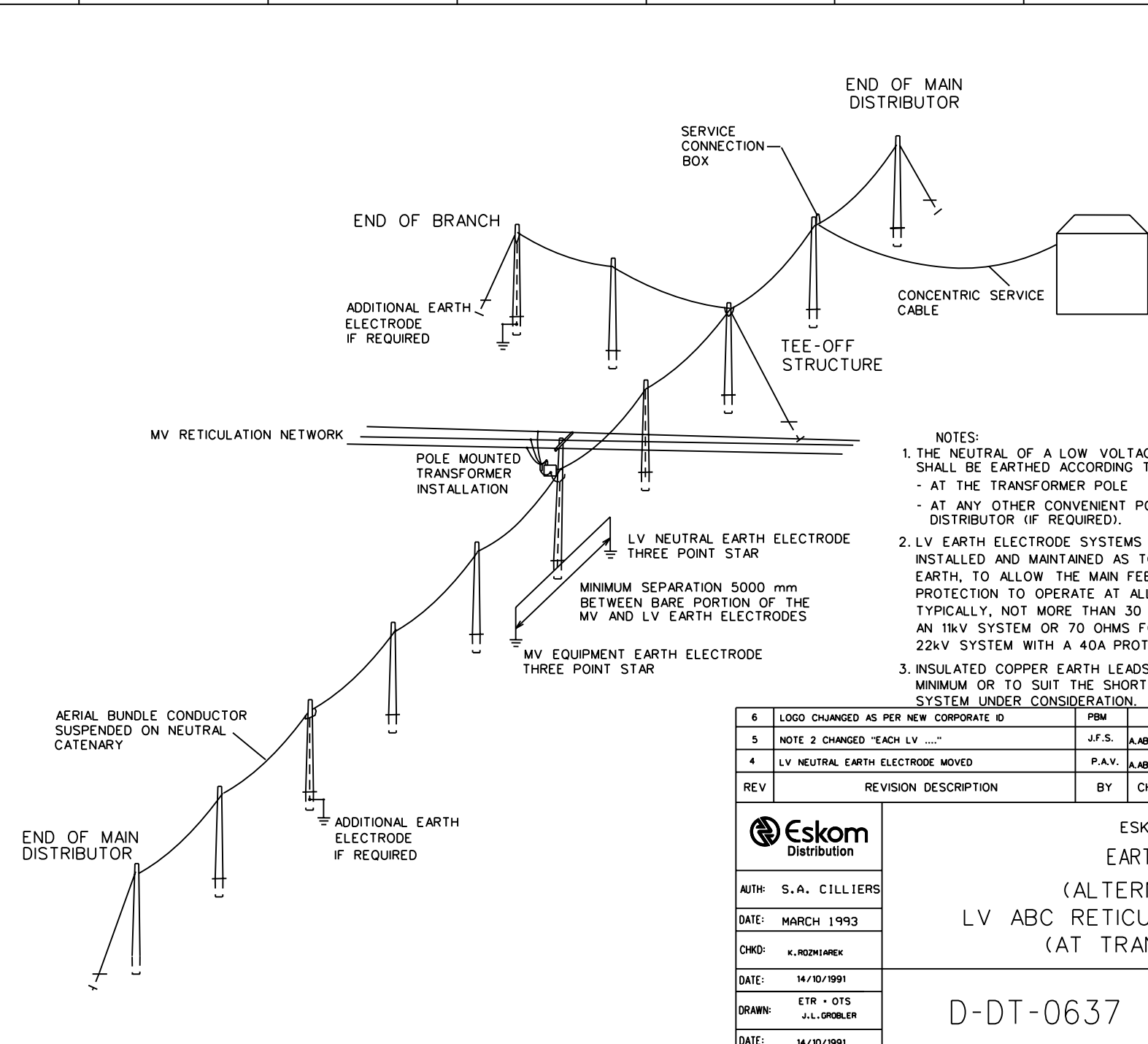
D

E

F

1 2 3 4 5 6 7 8

A3L



- NOTES:
1. THE NEUTRAL OF A LOW VOLTAGE OVERHEAD DISTRIBUTOR SHALL BE EARTHED ACCORDING TO THE FOLLOWING :
    - AT THE TRANSFORMER POLE
    - AT ANY OTHER CONVENIENT POINT ALONG THE DISTRIBUTOR (IF REQUIRED).
  2. LV EARTH ELECTRODE SYSTEMS SHALL BE SO LOCATED, INSTALLED AND MAINTAINED AS TO HAVE AN IMPEDANCE TO EARTH, TO ALLOW THE MAIN FEEDER EARTH FAULT PROTECTION TO OPERATE AT ALL TIMES. TYPICALLY, NOT MORE THAN 30 OHMS FOR AN 11kV SYSTEM OR 70 OHMS FOR A 22kV SYSTEM WITH A 40A PROTECTION SETTING.
  3. INSULATED COPPER EARTH LEADS ARE TO BE USED, 16<sup>2</sup> mm MINIMUM OR TO SUIT THE SHORT CIRCUIT RATINGS OF THE SYSTEM UNDER CONSIDERATION.

6	LOGO CHANGED AS PER NEW CORPORATE ID	PBM	T. NKAMBULE	30.08.06	
5	NOTE 2 CHANGED "EACH LV ...."	J.F.S.	A.ABROSIE P.CROWDY	19.11.99	
4	LV NEUTRAL EARTH ELECTRODE MOVED	P.A.V.	A.ABROSIE P.CROWDY	28.11.95	
REV	REVISION DESCRIPTION	BY	CHKD	AUTH	DATE

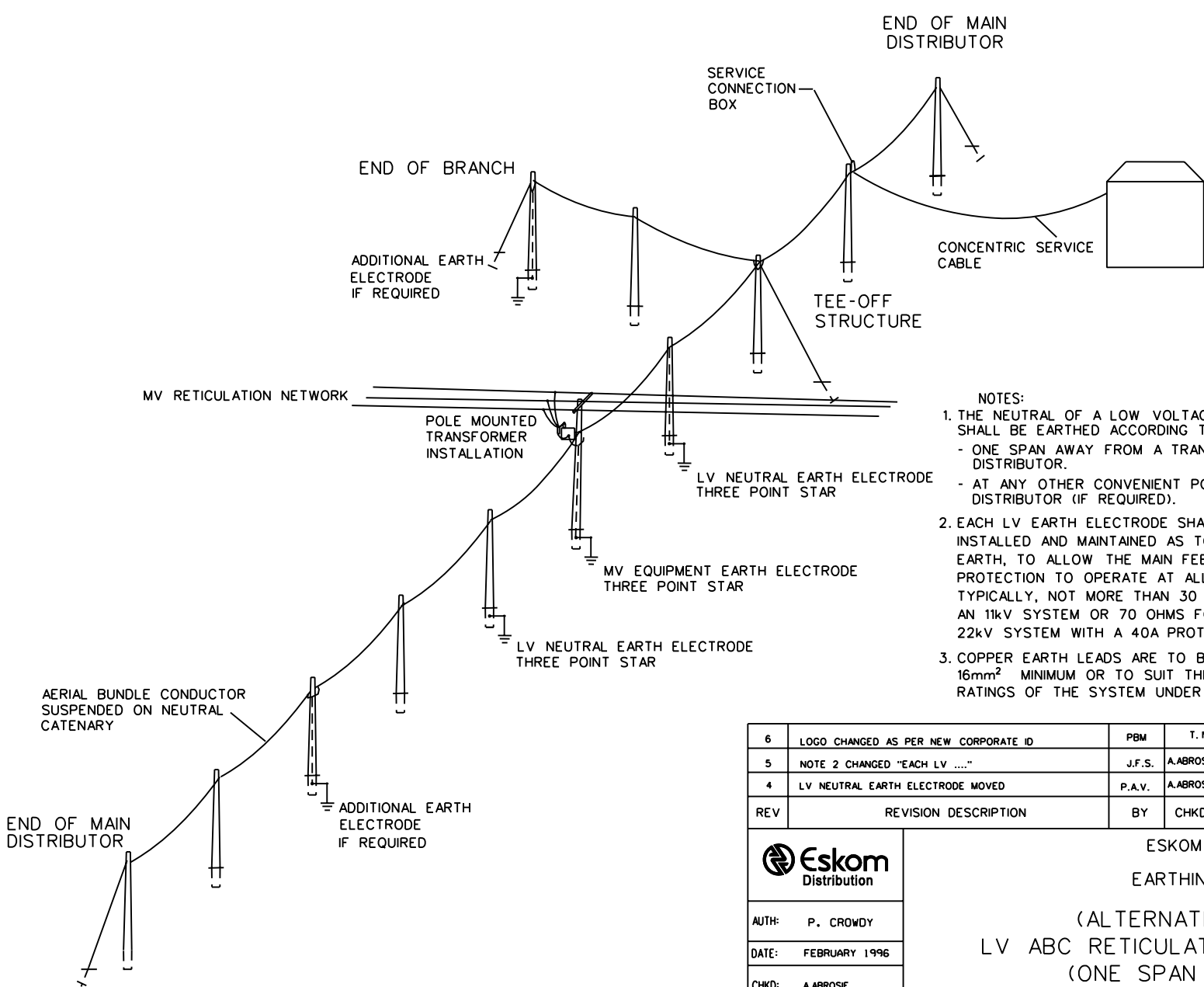
AUTH:	S. A. CILLIERS
DATE:	MARCH 1993
CHKD:	K. ROZMIAREK
DATE:	14/10/1991
DRAWN:	ETR - OTS J.L. GROBLER
DATE:	14/10/1991

Eskom Distribution  ESKOM EARTHING (ALTERNATIVE 1) LV ABC RETICULATION EARTHING (AT TRANSFORMER)				
D-DT-0637		SET 2	SHEET 1	REVISION 6



1 2 3 4 5 6 7 8

A  
B  
C  
D  
E  
F



- NOTES:
1. THE NEUTRAL OF A LOW VOLTAGE OVERHEAD DISTRIBUTOR SHALL BE EARTHED ACCORDING TO THE FOLLOWING :  
 - ONE SPAN AWAY FROM A TRANSFORMER ON EACH DISTRIBUTOR.  
 - AT ANY OTHER CONVENIENT POINT ALONG THE DISTRIBUTOR (IF REQUIRED).
  2. EACH LV EARTH ELECTRODE SHALL BE SO LOCATED, INSTALLED AND MAINTAINED AS TO HAVE AN IMPEDANCE TO EARTH, TO ALLOW THE MAIN FEEDER EARTH FAULT PROTECTION TO OPERATE AT ALL TIMES. TYPICALLY, NOT MORE THAN 30 OHMS FOR AN 11kV SYSTEM OR 70 OHMS FOR A 22kV SYSTEM WITH A 40A PROTECTION SETTING.
  3. COPPER EARTH LEADS ARE TO BE USED, 16mm<sup>2</sup> MINIMUM OR TO SUIT THE SHORT CIRCUIT RATINGS OF THE SYSTEM UNDER CONSIDERATION.

6	LOGO CHANGED AS PER NEW CORPORATE ID	PBM	T. NKAMBULE	30.08.06	
5	NOTE 2 CHANGED "EACH LV ...."	J.F.S.	A.ABROSIE P.CROWDY	19.11.99	
4	LV NEUTRAL EARTH ELECTRODE MOVED	P.A.V.	A.ABROSIE P.CROWDY	28.11.95	
REV	REVISION DESCRIPTION	BY	CHKD AUTH	DATE	PROJECT NO.

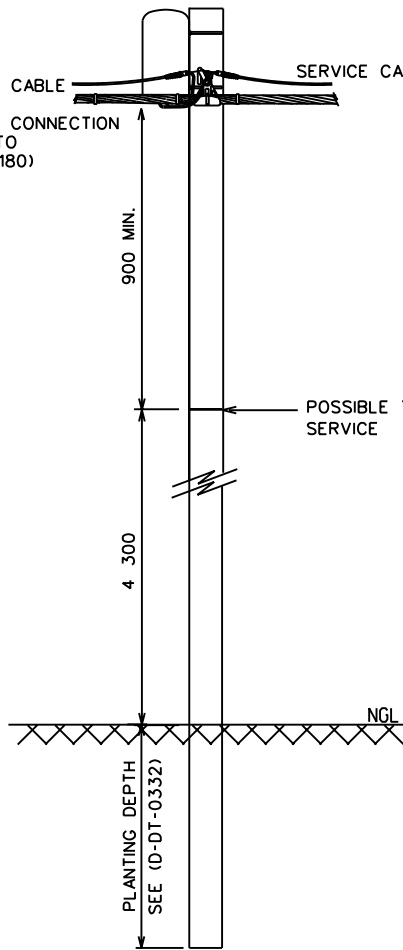
	ESKOM EARTHING (ALTERNATIVE 2) LV ABC RETICULATION EARTHING (ONE SPAN AWAY)					
	AUTH: P. CROWDY					
	DATE: FEBRUARY 1996					
	CHKD: A.ABROSIE					
DATE: FEBRUARY 1996	D-DT-0637			SET	SHEET	REVISION
DRAWN: P.A.V.				2	2	6
DATE: 28-11-1995						

1 2 3 4 5 6 7 8 A3L

1 2 3 4 5 6 7 8

A  
B  
C  
D  
E  
F

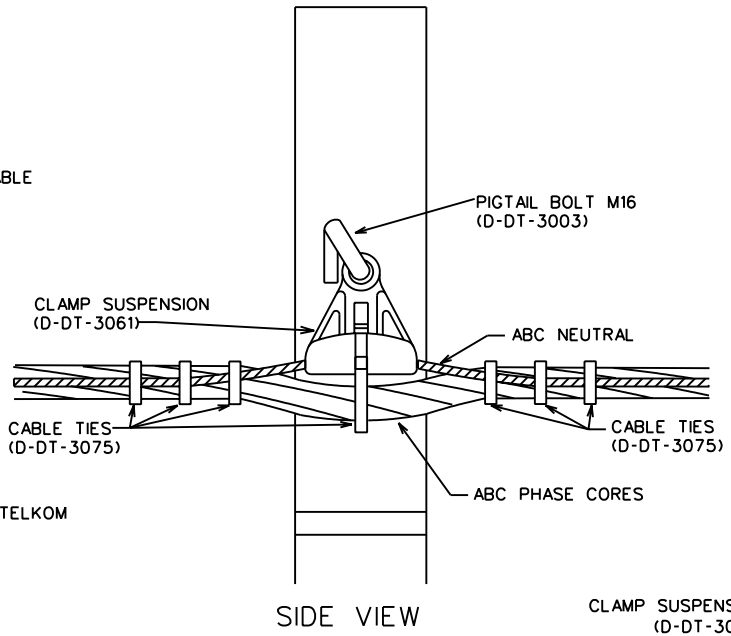
SERVICE CABLE  
SERVICE CONNECTION  
REFER TO  
(D-DT-0180)



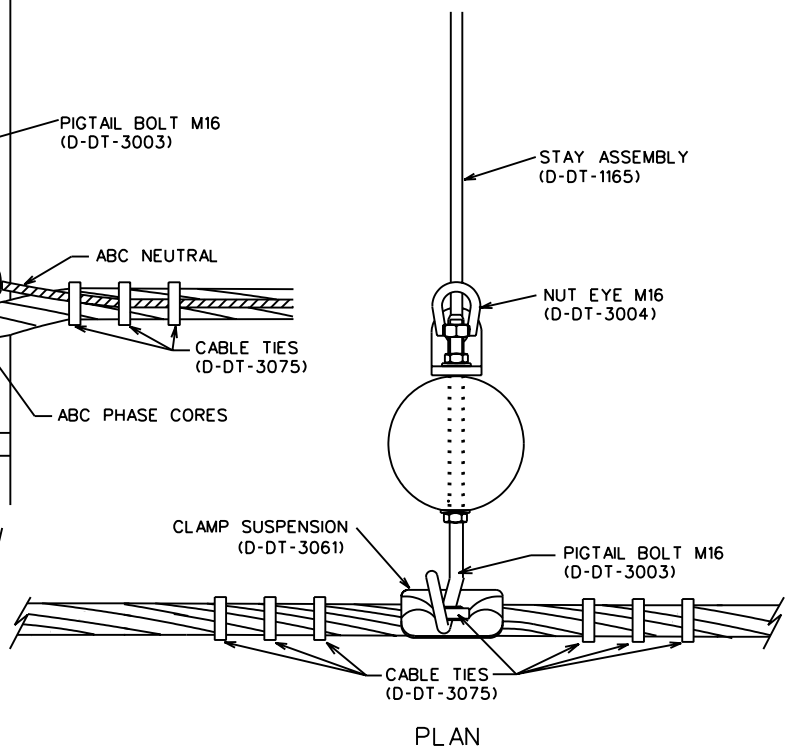
900 MIN.  
4 300

POSSIBLE TELKOM  
SERVICE

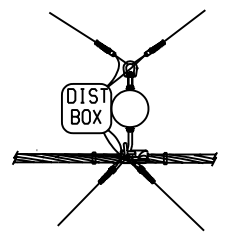
PLANTING DEPTH  
SEE (D-DT-0332)



SIDE VIEW



PLAN



PLAN

NOTE:  
1. EARTHING REQUIREMENTS  
SEE PART 2.  
2. STAY WIRE REQUIRED IF :  
- ANGLE GREATER THAN 5  
- TWO OR MORE SERVICES  
FROM ONE SIDE OF POLE.

4	LOGO CHANGED AS PER CORPORATE ID	M.T.M.	P.A.V.	J.SCHOLTZ	06.08.04	
3	TITLE CHANGED	P.A.V.	I.A.F.	I.A.F.	07/07/97	
REV	REVISION DESCRIPTION	BY	CHKD	AUTH	DATE	PROJECT NO.



AUTH: S.A. CILLIERS  
DATE: 10/01/1994  
CHKD: N.J.V.R.  
DATE: 01/03/1993  
DRAWN: N.J.V.R.  
DATE: 15/02/1993

LV RETICULATION  
THREE PHASE BARE NEUTRAL ABC  
SUSPENSION ASSEMBLY (0° - 30°)  
WOOD POLE

D-DT-1100

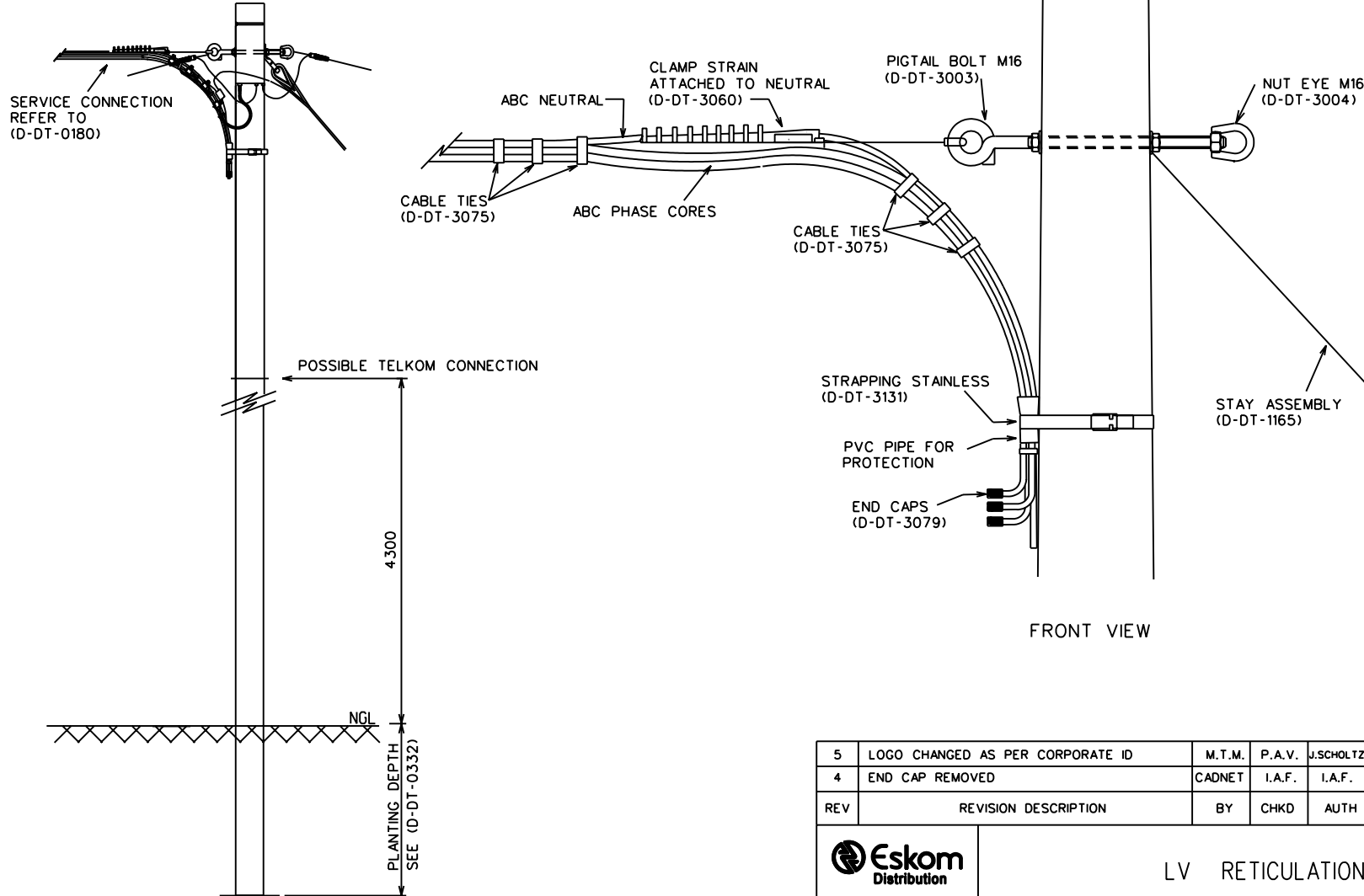
SET	SHEET	REVISION
1	1	4

1 2 3 4 5 6 7 8 A3L

1 2 3 4 5 6 7 8

A  
B  
C  
D  
E  
F

A  
B  
C  
D  
E  
F



FRONT VIEW

NOTE :  
 1. EARTHING REQUIREMENTS SEE PART 2.  
 2. IF TWO BUNDLES ARE USED INSTALL MV STAY (D-DT-1265)

5	LOGO CHANGED AS PER CORPORATE ID	M.T.M.	P.A.V.	J.SCHOLTZ	06.08.04	
4	END CAP REMOVED	CADNET	I.A.F.	I.A.F.	07/07/97	
REV	REVISION DESCRIPTION	BY	CHKD	AUTH	DATE	PROJECT NO.

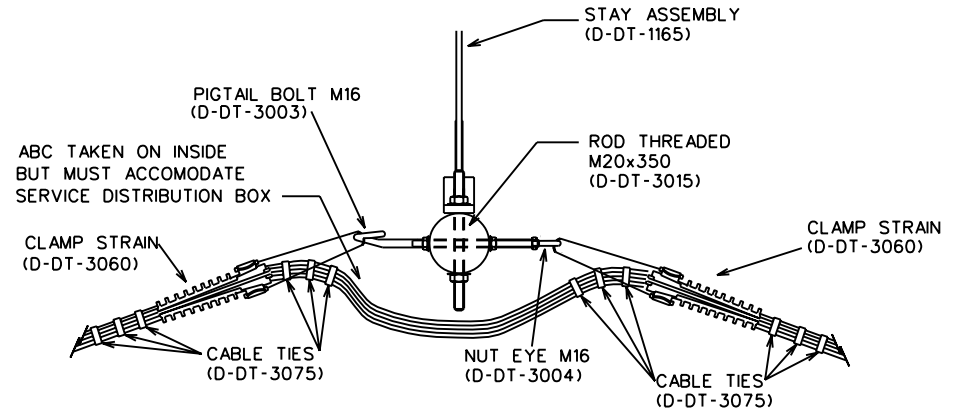
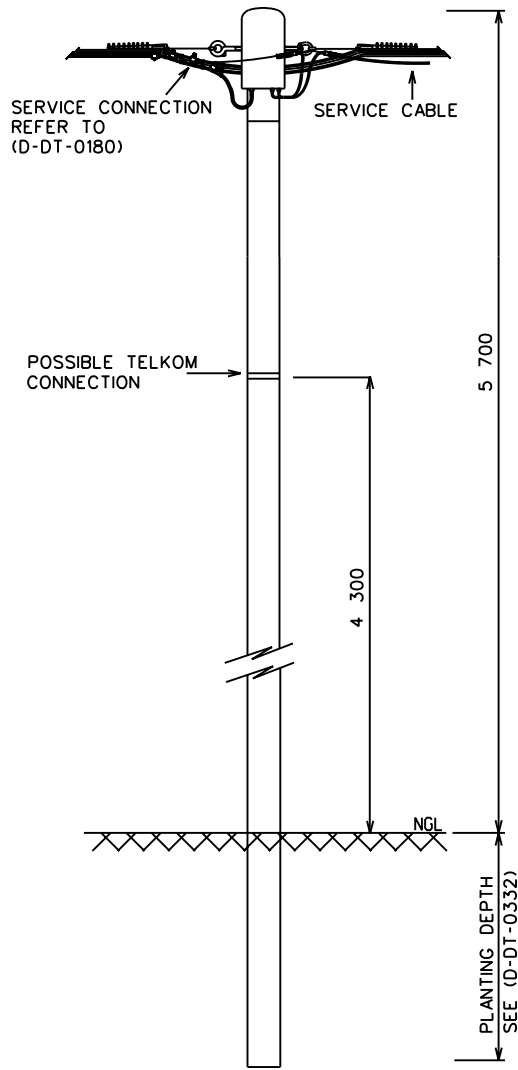
AUTH:	S.A. CILLIERS
DATE:	10/01/1994
CHKD:	N.J.V.R.
DATE:	05/03/1993
DRAWN:	DT H.J.V.M.
DATE:	08/02/1993

LV RETICULATION				
THREE PHASE BARE NEUTRAL ABC				
TERMINAL ASSEMBLY				
WOOD POLE				
D-DT-1120		SET	SHEET	REVISION
		1	1	5

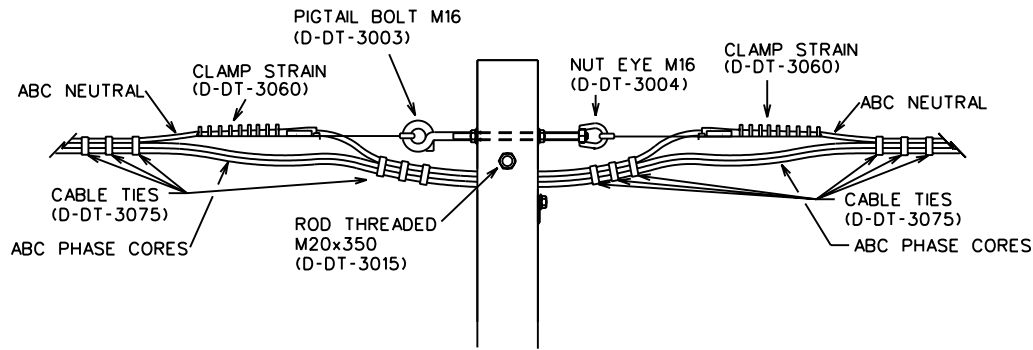
1 2 3 4 5 6 7 8 A3L

1 2 3 4 5 6 7 8

A  
B  
C  
D  
E  
F



PLAN VIEW



FRONT VIEW

NOTE :

1. EARTHING REQUIREMENTS SEE PART 2.
2. IF TWO ABC BUNDLES ARE USED - INSTALL MV STAY (D-DT-0265)

5	LOGO CHANGED AS PER CORPORATE ID	M.T.M.	P.A.V.	J.SCHOLTZ	06.08.04	
4	TITLE CHANGED	CADNET	I.A.F.	I.A.F.	07/07/97	
REV	REVISION DESCRIPTION	BY	CHKD	AUTH	DATE	PROJECT NO.



AUTH:	S.A. CILLIERS
DATE:	10/01/1994
CHKD:	N.J.V.R.
DATE:	01/03/1993
DRAWN:	ECR S.T. POOK
DATE:	29/09/1991

LV RETICULATION  
THREE PHASE BARE NEUTRAL ABC  
STRAIN ASSEMBLY (0° - 60°)  
WOOD POLE

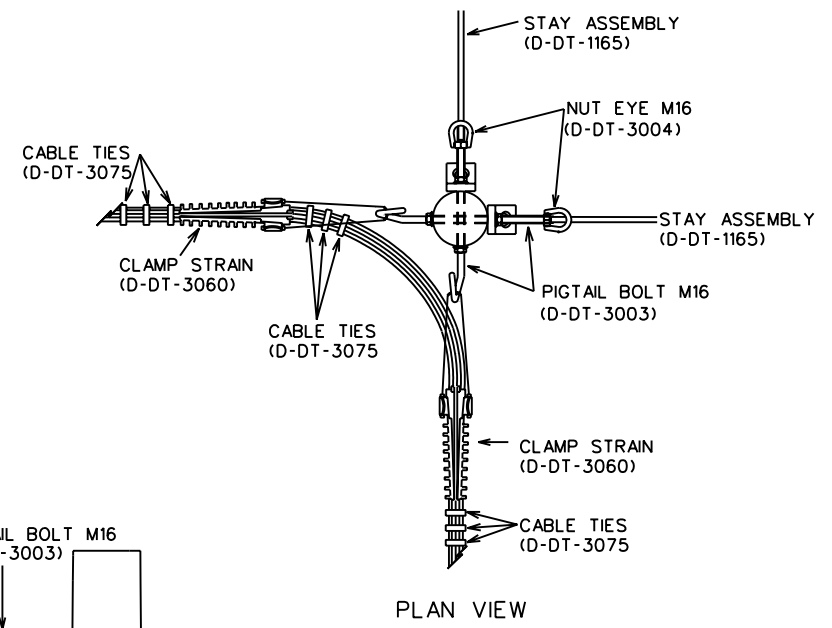
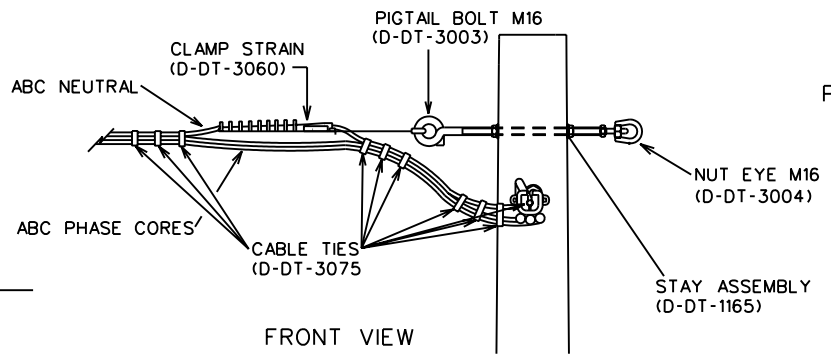
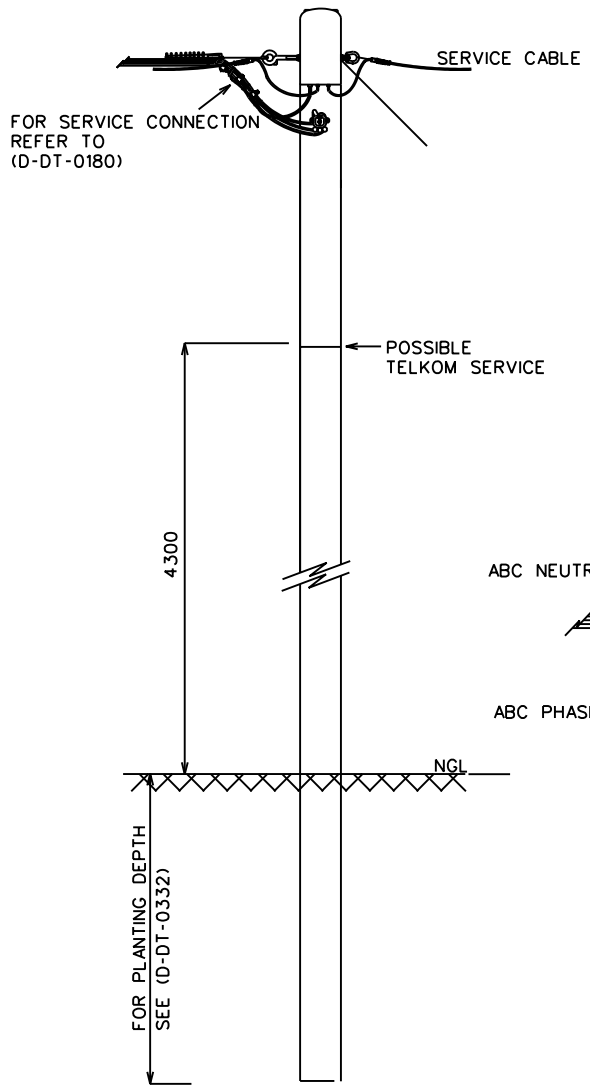
D-DT-1121	SET	SHEET	REVISION
	1	1	5

1 2 3 4 5 6 7 8 A3L

1 2 3 4 5 6 7 8

A  
B  
C  
D  
E  
F

A  
B  
C  
D  
E  
F



NOTE:  
1. EARTHING REQUIREMENTS SEE PART 2.  
2. IF DOUBLE ABC BUNDLES ARE USED - INSTALL MV STAYS (D-DT-1265)

5	LOGO CHANGED AS PER CORPORATE ID	M.T.M.	P.A.V.	J.SCHOLTZ	06.08.04	
4	TITLE CHANGED	CADNET	I.A.F.	I.FERGUSON	07.07.97	
REV	REVISION DESCRIPTION	BY	CHKD	AUTH	DATE	PROJECT NO.

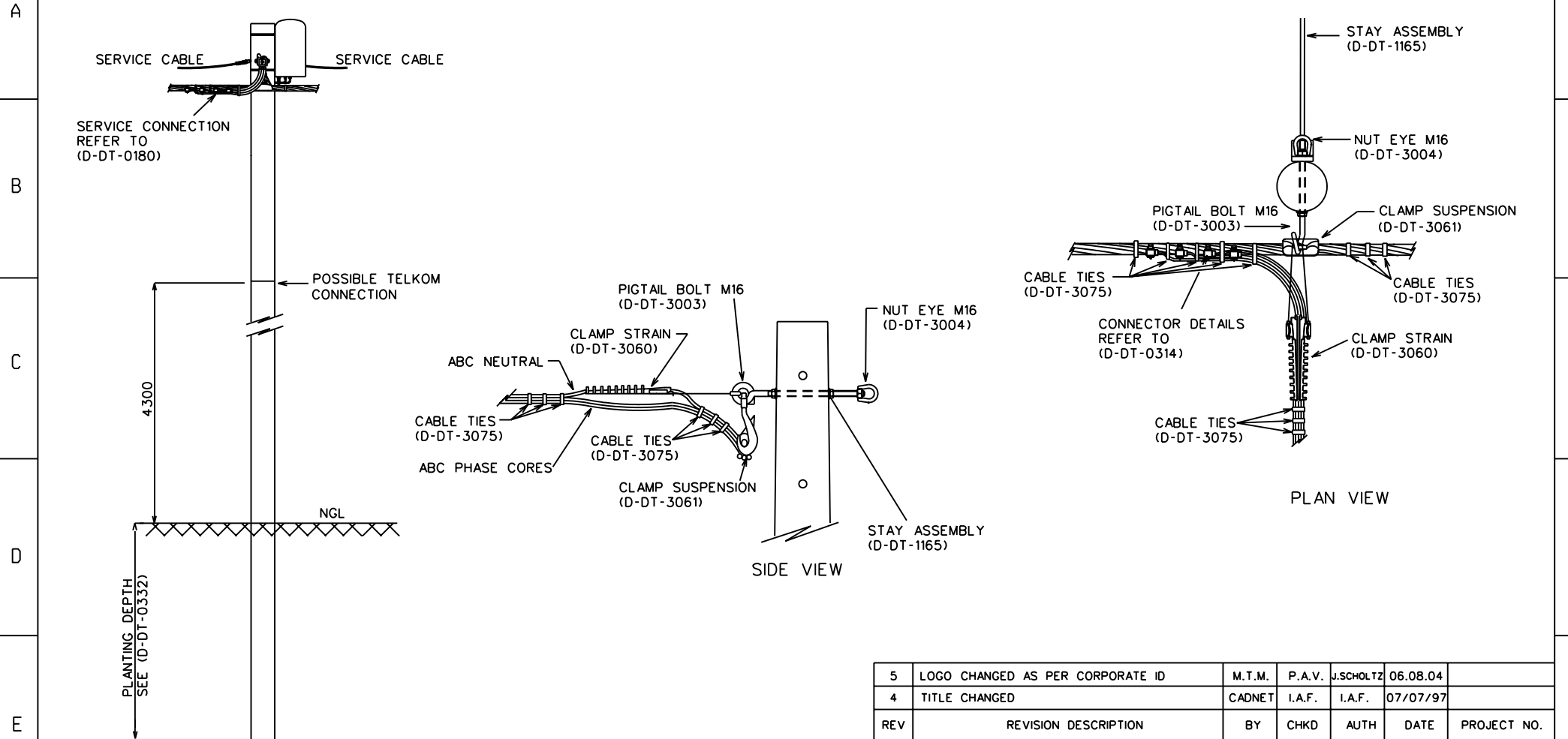
AUTH:	S.A. CILLIERS
DATE:	10/01/1994
CHKD:	NUVR
DATE:	05/03/1993
DRAWN:	DT HJVM
DATE:	08/02/1993

ESKOM  
LV RETICULATION  
THREE PHASE BARE NEUTRAL ABC  
STRAIN ASSEMBLY (60° - 90°)  
WOOD POLE

D-DT-1122

SET	SHEET	REVISION
1	1	5

1 2 3 4 5 6 7 8 A3L



NOTE :

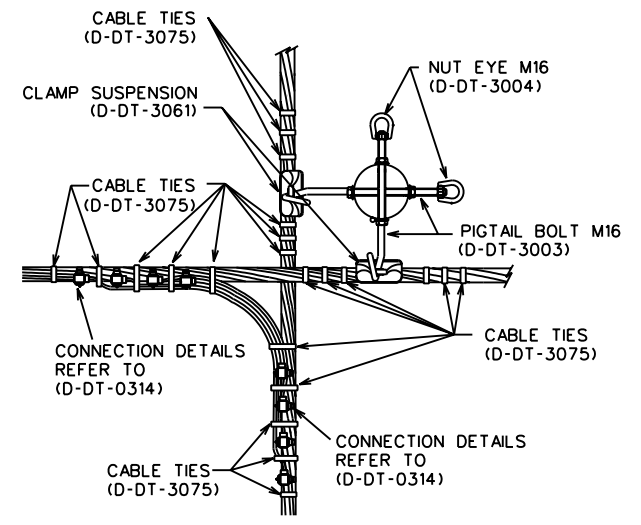
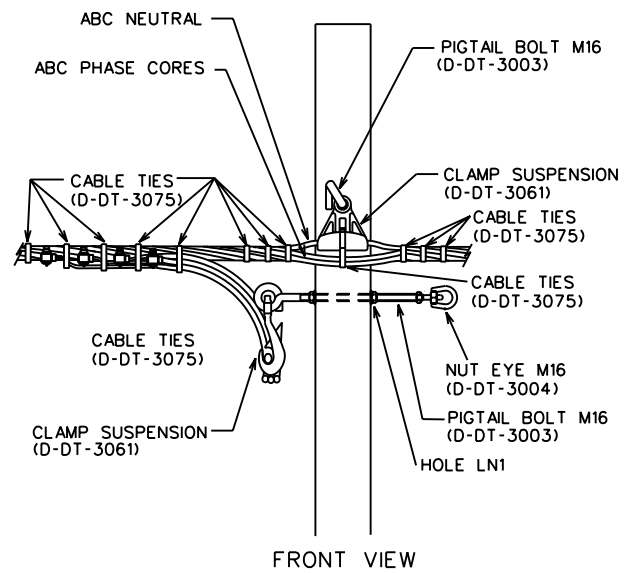
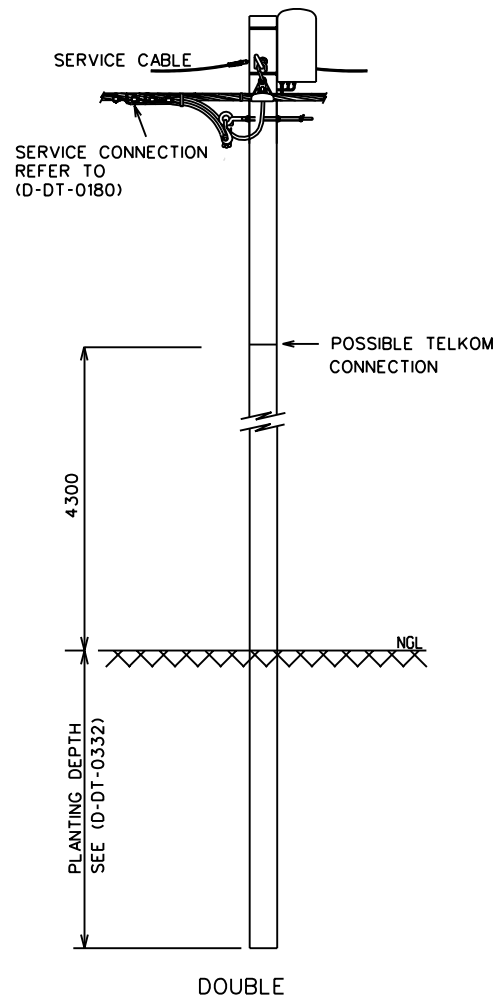
1. EARTHING REQUIREMENTS SEE PART 2.
2. IF DOUBLE BUNDLES ARE USED - INSTALL MV STAYS (D-DT-1265)

5	LOGO CHANGED AS PER CORPORATE ID	M.T.M.	P.A.V.	J.SCHOLTZ	06.08.04	
4	TITLE CHANGED	CADNET	I.A.F.	I.A.F.	07/07/97	
REV	REVISION DESCRIPTION	BY	CHKD	AUTH	DATE	PROJECT NO.

	<b>LV RETICULATION</b> <b>THREE PHASE BARE NEUTRAL ABC</b> <b>T-OFF ASSEMBLY FROM</b> <b>INTERMEDIATE</b> <b>WOOD POLE</b>					
	AUTH: S.A. CILLIERS					
	DATE: 10/01/1994					
	CHKD: N.J.V.R.					
DATE: 05/03/1995				SET	SHEET	REVISION
DRAWN: DT H.J.V.R.				D-DT-1140	1	1
DATE: 08/02/1993						

A  
B  
C  
D  
E  
F

1 2 3 4 5 6 7 8



NOTE :  
EARTHING REQUIREMENTS  
SEE PART 2.

5	LOGO CHANGED AS PER CORPORATE ID	M.T.M.	P.A.V.	J.SCHOLTZ	06.08.04	
4	TITLE CHANGED	CADNET	I.A.F.	I.A.F.	07/07/97	
REV	REVISION DESCRIPTION	BY	CHKD	AUTH	DATE	PROJECT NO.

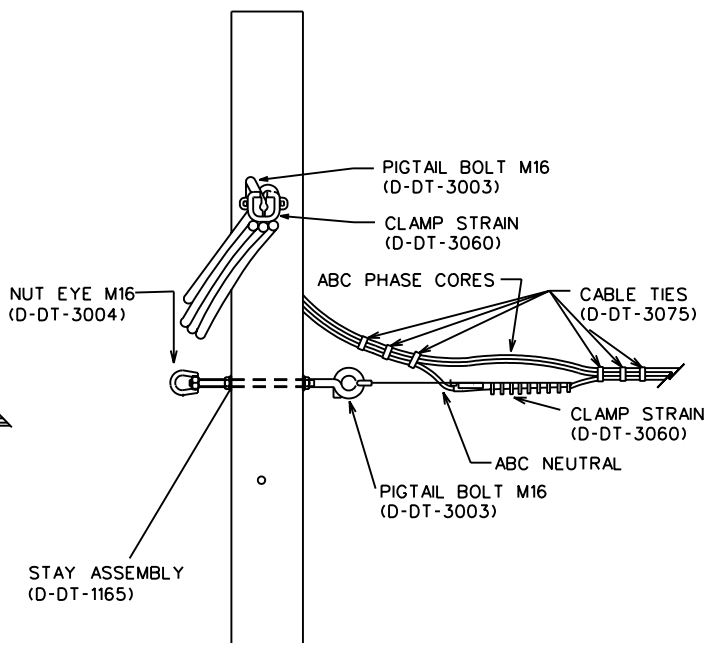
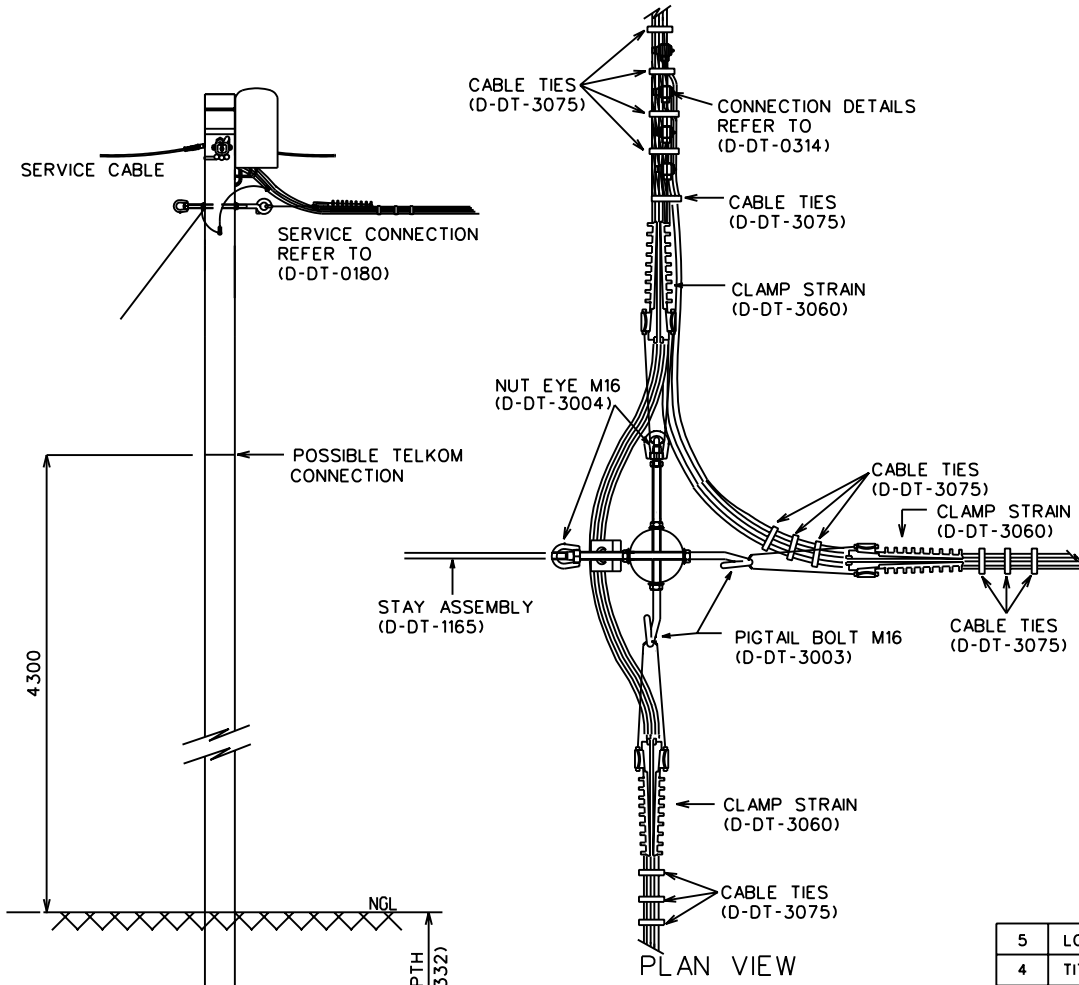
AUTH: S.A. CILLIERS
DATE: 10/01/1994
CHKD: N.J.V.R.
DATE: 05/03/1993
DRAWN: DT H.J.V.M.
DATE: 08/02/1993

LV RETICULATION  
THREE PHASE BARE NEUTRAL ABC  
CROSS INTERMEDIATE  
-INTERMEDIATE ASSEMBLY  
WOOD POLE

D-DT-1141

SET	SHEET	REVISION
1	1	5

A3L



SIDE VIEW

NOTE :

1. EARTHING REQUIREMENTS SEE PART 2.
2. IF DOUBLE ABC BUNDLES ARE USED - INSTALL MV STAYS (D-DT-1265)

5	LOGO CHANGED AS PER CORPORATE ID	M.T.M.	P.A.V.	J.SCHOLTZ	06.08.04	
4	TITLE CHANGED	CADNET	I.A.F.	I.A.F.	07/07/97	
REV	REVISION DESCRIPTION	BY	CHKD	AUTH	DATE	PROJECT NO.



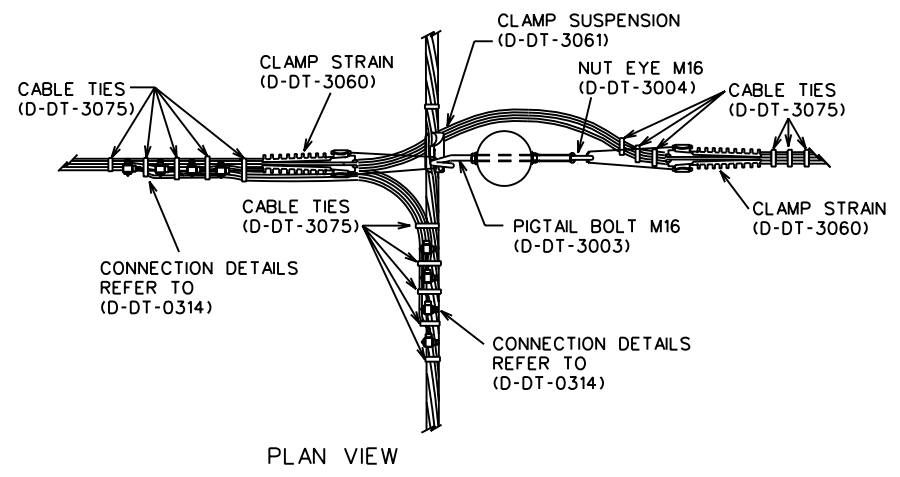
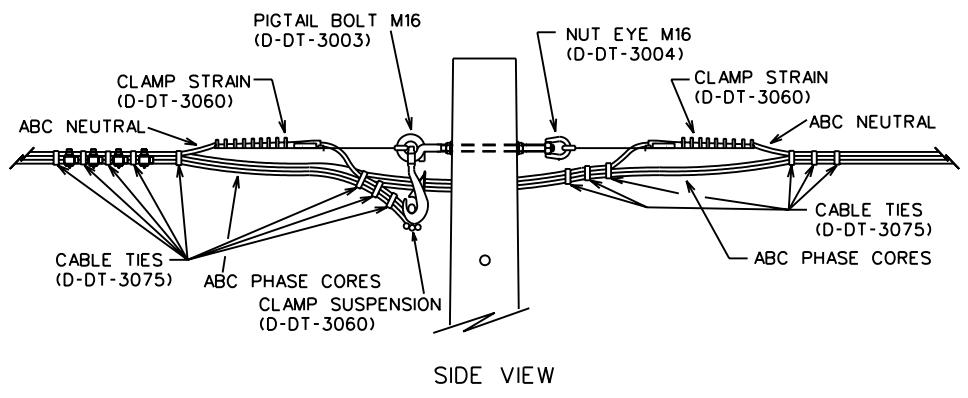
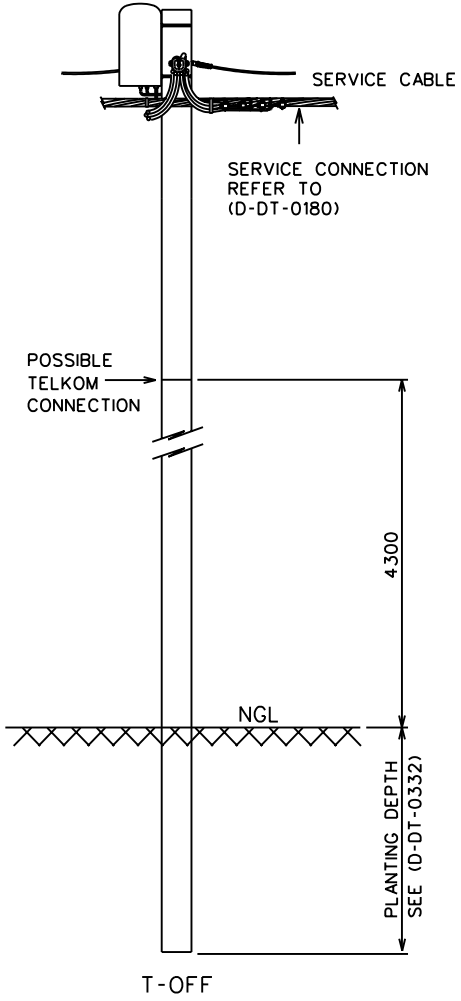
LV RETICULATION

THREE PHASE ABC BARE NEUTRAL  
T-OFF ASSEMBLY FROM STRAIN  
WOOD POLE

AUTH:	S.A. CILLIERS
DATE:	10/01/1994
CHKD:	N.J.V.R.
DATE:	05/03/1993
DRAWN:	DT H.J.V.M.
DATE:	08/02/1993

D-DT-1142	SET	SHEET	REVISION
	1	1	5





NOTE :  
EARTHING REQUIREMENTS  
SEE PART 2.

5	LOGO CHANGED AS PER CORPORATE ID	M.T.M.	P.A.V.	J.SCHOLTZ	06.08.04	
4	TITLE CHANGED	CADNET	I.A.F.	I.A.F.	07/07/97	
REV	REVISION DESCRIPTION	BY	CHKD	AUTH	DATE	PROJECT NO.



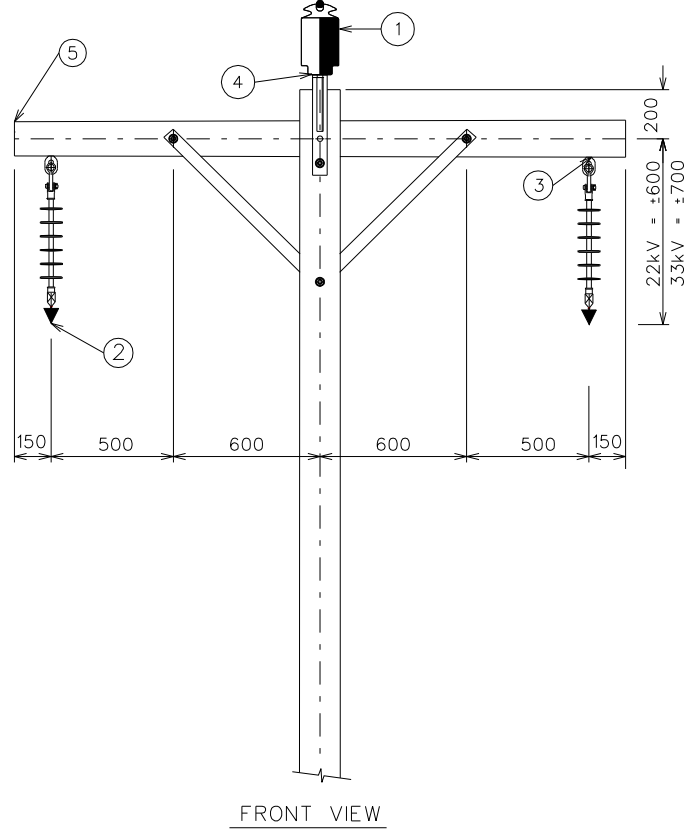
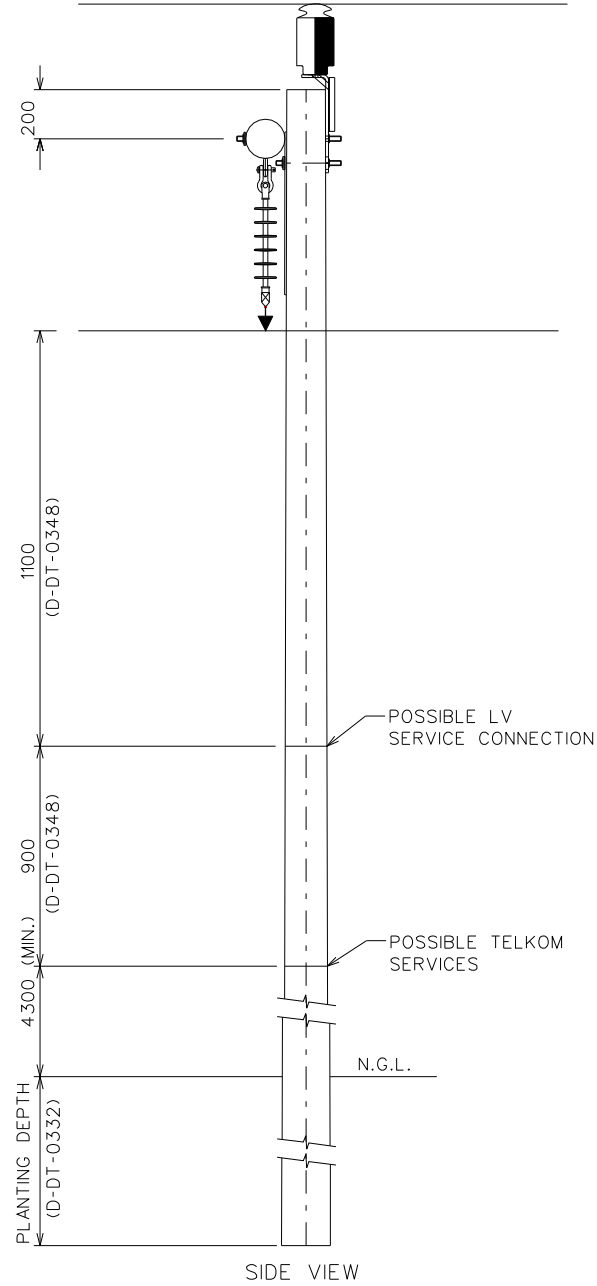
AUTH:	S.A. CILLIERS
DATE:	10/01/1994
CHKD:	N.J.V.R.
DATE:	05/03/1993
DRAWN:	DT H.J.V.M.
DATE:	08/02/1993

LV RETICULATION  
THREE PHASE  
BARE NEUTRAL ABC CROSS  
INTERMEDIATE-STRAIN ASSEMBLY  
WOOD POLE

D-DT-1143	SET	SHEET	REVISION
	1	1	5

1 2 3 4 5 6 7 8

A  
B  
C  
D  
E  
F



REFERENCE DRAWINGS		
ITEM	DESCRIPTION	DWG NO
CONDUCTOR / INSULATOR ATTACHMENTS		
1	POSTS -TOP GROOVE TIES	D-DT-0256
2	SUSPENSION -SUSP.CLAMP/ARMOUR ROD	D-DT-0253
INSULATOR / STRUCTURE ATTACHMENTS		
3	SUSPENSION -EYEBOLT	D-DT-0378
4	POSTS -SHORT SPINDLE	D-DT-0390
X-ARM STRUCTURE ATTACHMENTS		
5	SUSPENSION -2500 WOOD CROSSARM/POLE	D-DT-0316
BONDING AND EARTHING		
	INSULATION CO-ORDINATE	D-DT-0310
PHASING		
	PHASE CONFIGURATION	D-DT-0311

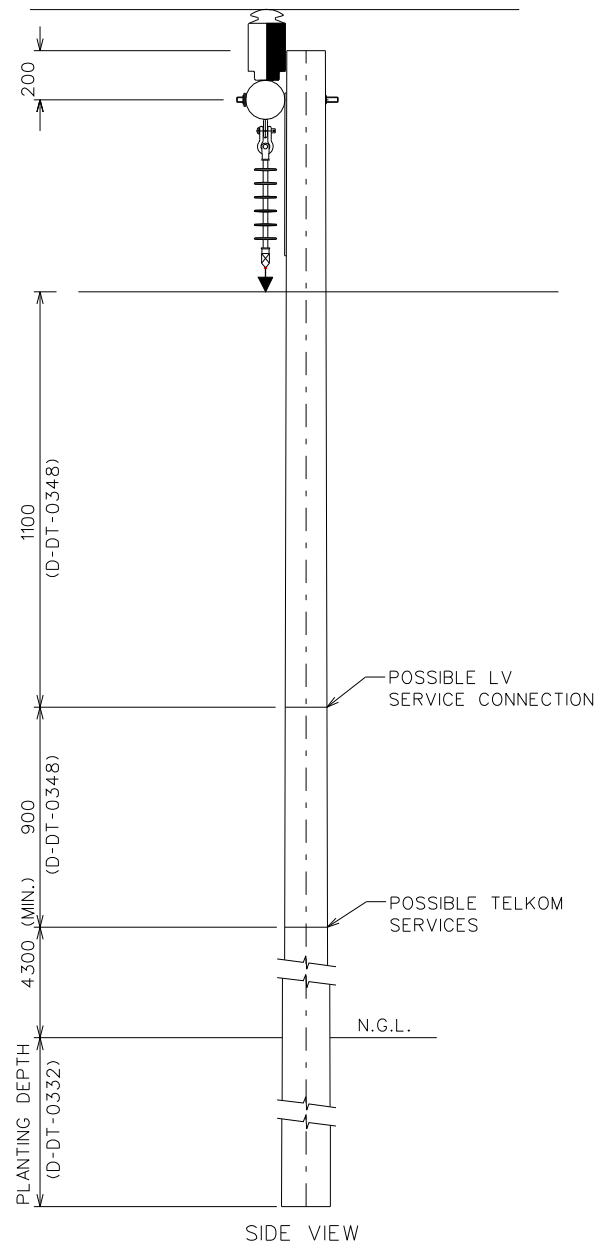
5	RETICULATION REMOVED FROM TITLE BLOCK	N.M.	P.A.T.	P.A.T.	19.09.2009	
4	SPINDLE'S CORRECTED ON SHEET 1 + 2	P.A.V.	B. HILL	B. HILL	09.02.2007	
3	SHEET 2 ADDED & REF. No'S CHANGED	PBM	B. HILL	B. HILL	08.12.2005	
REV	REVISION DESCRIPTION	BY	CHKD	AUTH	DATE	PROJECT NO.

	MV THREE PHASE					
	DELTA - 2500 WOODEN CROSSARM					
	INTERMEDIATE - 0 DEG. DEVIATION					
	AUTH: B. BRANFIELD DATE: 11/01/1999 CHKD: B. BRANFIELD DATE: 11/01/1999 DRAWN: P. A. V DATE: 16/10/1998			SET SHEET REVISION		
D-DT-1740			2	1	5	

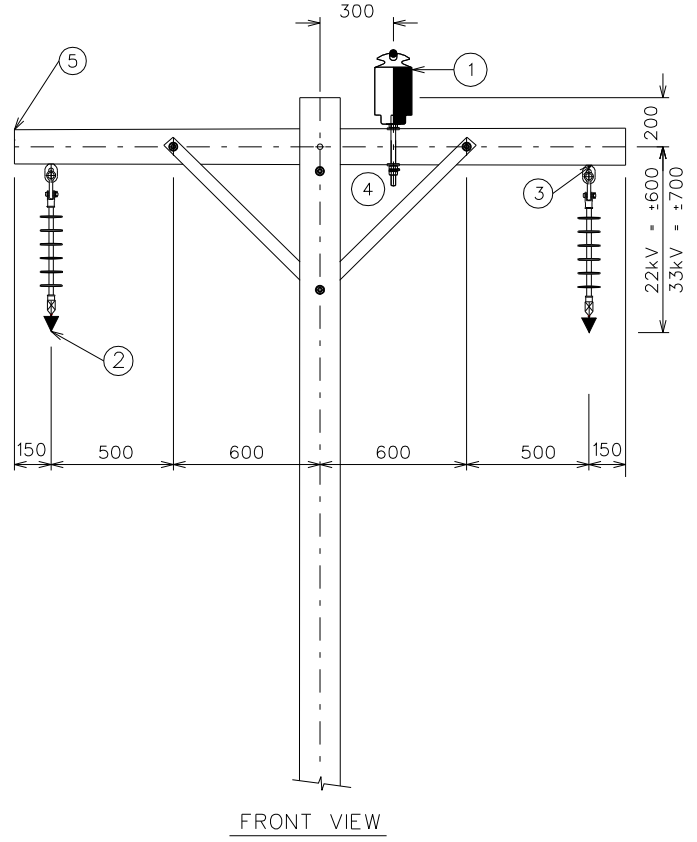
1 2 3 4 5 6 7 8 A3L

1 2 3 4 5 6 7 8

A  
B  
C  
D  
E  
F



SIDE VIEW



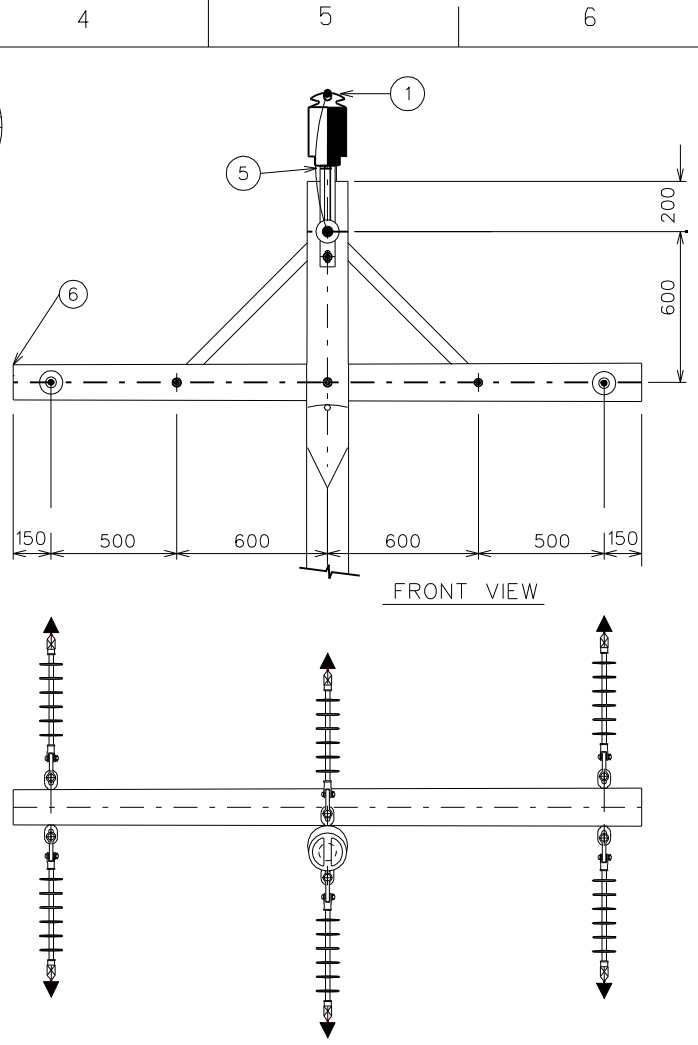
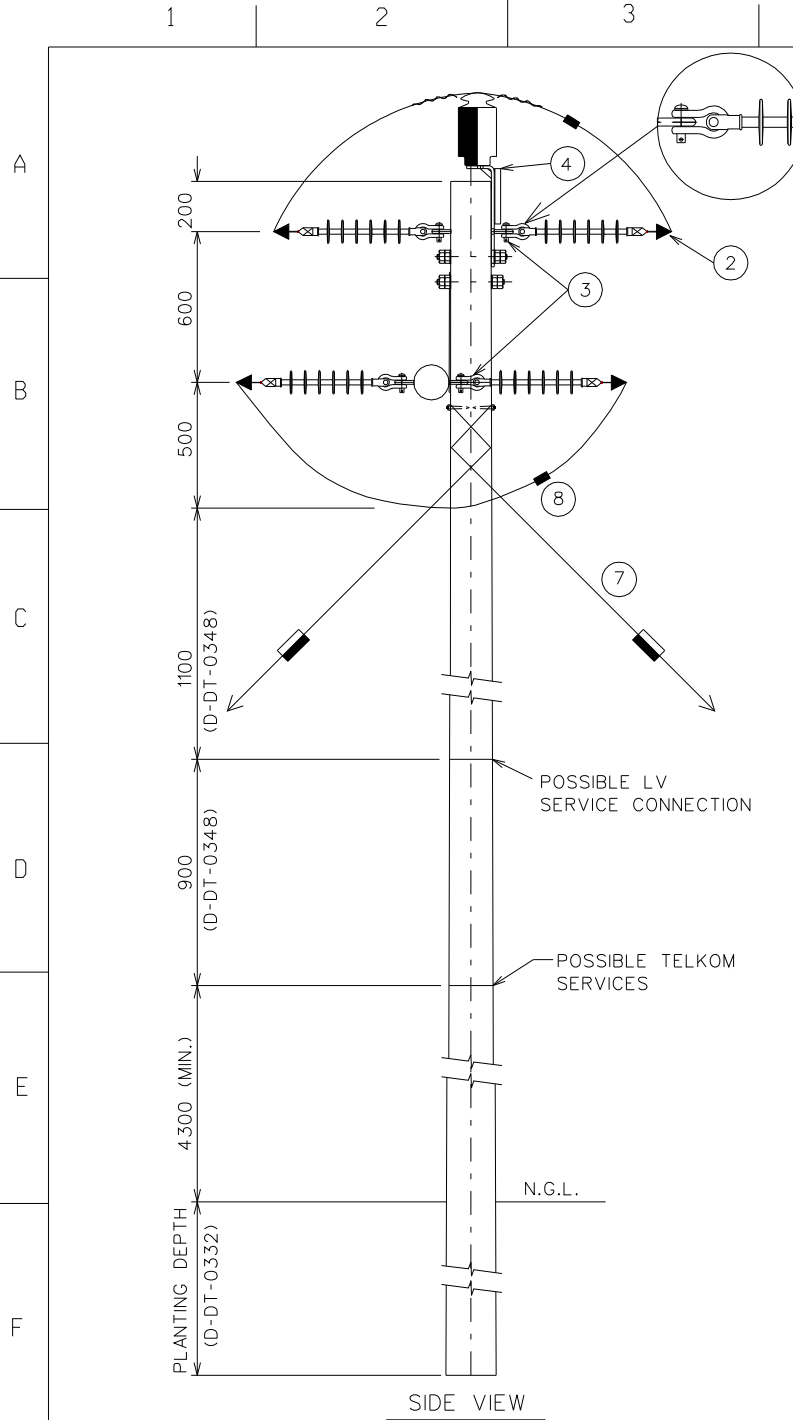
FRONT VIEW

REFERENCE DRAWINGS		
ITEM	DESCRIPTION	DWG NO
CONDUCTOR / INSULATOR ATTACHMENTS		
1	POSTS -TOP GROOVE TIES	D-DT-0256
2	SUSPENSION -SUSP.CLAMP/ARMOUR ROD	D-DT-0253
INSULATOR / STRUCTURE ATTACHMENTS		
3	SUSPENSION -EYEBOLT	D-DT-0378
4	POSTS -LONG SPINDLE	D-DT-0391
X-ARM STRUCTURE ATTACHMENTS		
5	SUSPENSION -2500 WOOD CROSSARM/POLE	D-DT-0316
BONDING AND EARTHING		
	INSULATION CO-ORDINATE	D-DT-0310
PHASING		
	PHASE CONFIGURATION	D-DT-0311

5	RETICULATION REMOVED FROM TITLE BLOCK	N.M.	P.A.T.	P.A.T.	19.09.2009	
4	SPINDLE'S CORRECTED ON SHEET 1 + 2	P.A.V.	B. HILL	B. HILL	09.02.2007	
3	SHEET 2 ADDED & REF. No'S CHANGED	PBM	B. HILL	B. HILL	08.12.2005	
REV	REVISION DESCRIPTION	BY	CHKD	AUTH	DATE	PROJECT NO.

	MV THREE PHASE					
	DELTA - 2500 WOODEN CROSSARM					
	INTERMEDIATE - 0 DEG. DEVIATION					
	AUTH: B. BRANFIELD DATE: 11/01/1999 CHKD: B. BRANFIELD DATE: 11/01/1999 DRAWN: P. A. V DATE: 16/10/1998			SET	SHEET	REVISION
D-DT-1740			2	2	5	

1 2 3 4 5 6 7 8 A3L



REFERENCE DRAWINGS		
ITEM	DESCRIPTION	DWG NO
CONDUCTOR / INSULATOR ATTACHMENTS		
1	POSTS -TOP GROOVE TIES	D-DT-0256
2	STRAINS -HELICAL DEAD-END -PISTOL GRIPS	D-DT-0250 D-DT-0251
INSULATOR / STRUCTURE ATTACHMENTS		
3	STRAINS -EYEBOLT	D-DT-0373
4	INSULATOR SUPPORT -INTERMEDIATE ASSEMBLY POLE TOP BRACKET	D-DT-0383
5	POSTS -SHORT SPINDLE	D-DT-0390
X-ARM STRUCTURE ATTACHMENTS		
6	STRAINS -2500 WOOD CROSSARM/POLE	D-DT-0316
BONDING AND EARTHING		
INSULATION CO-ORDINATE		D-DT-0310
STAYS		
7	STAY ASSEMBLY STAY ATTACHMENTS	D-DT-0341 D-DT-0312
PHASING		
PHASE CONFIGURATION		D-DT-0311
JOINTS		
8	NON-TENSION JOINTS	CHOICE

7	RETICULATION REMOVED FROM TITLE BLOCK	N.M.	P.A.T.	P.A.T.	19.09.2009	
6	600 PHASE SPACING ADDED	P.A.V.	B.HILL	B.HILL	06.09.2007	
REV	REVISION DESCRIPTION	BY	CHKD	AUTH	DATE	PROJECT NO.

**Eskom**  
Distribution

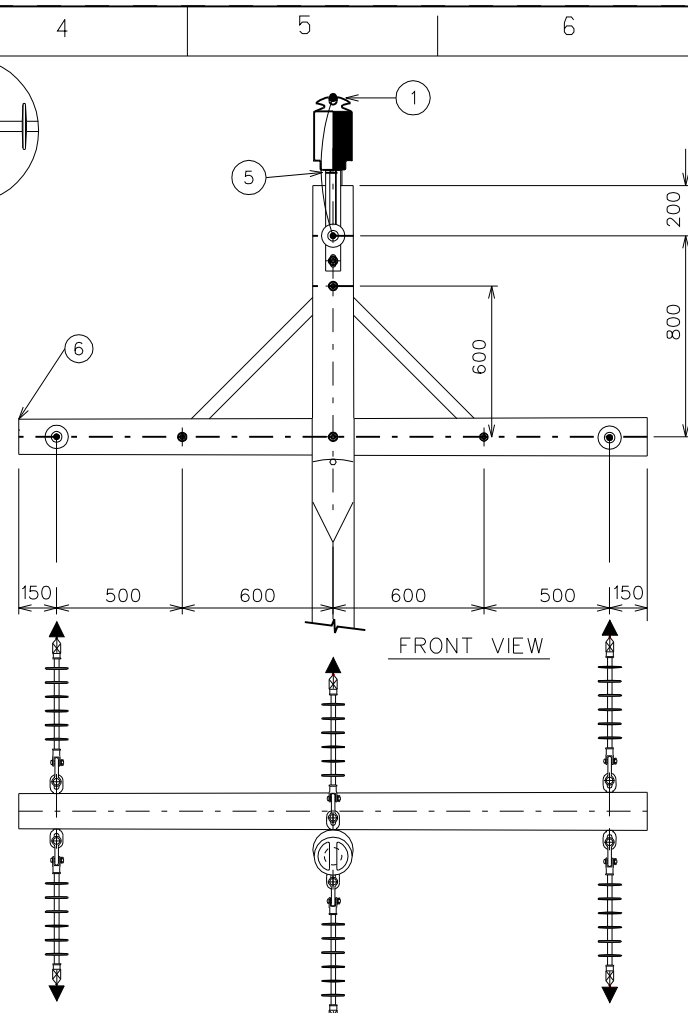
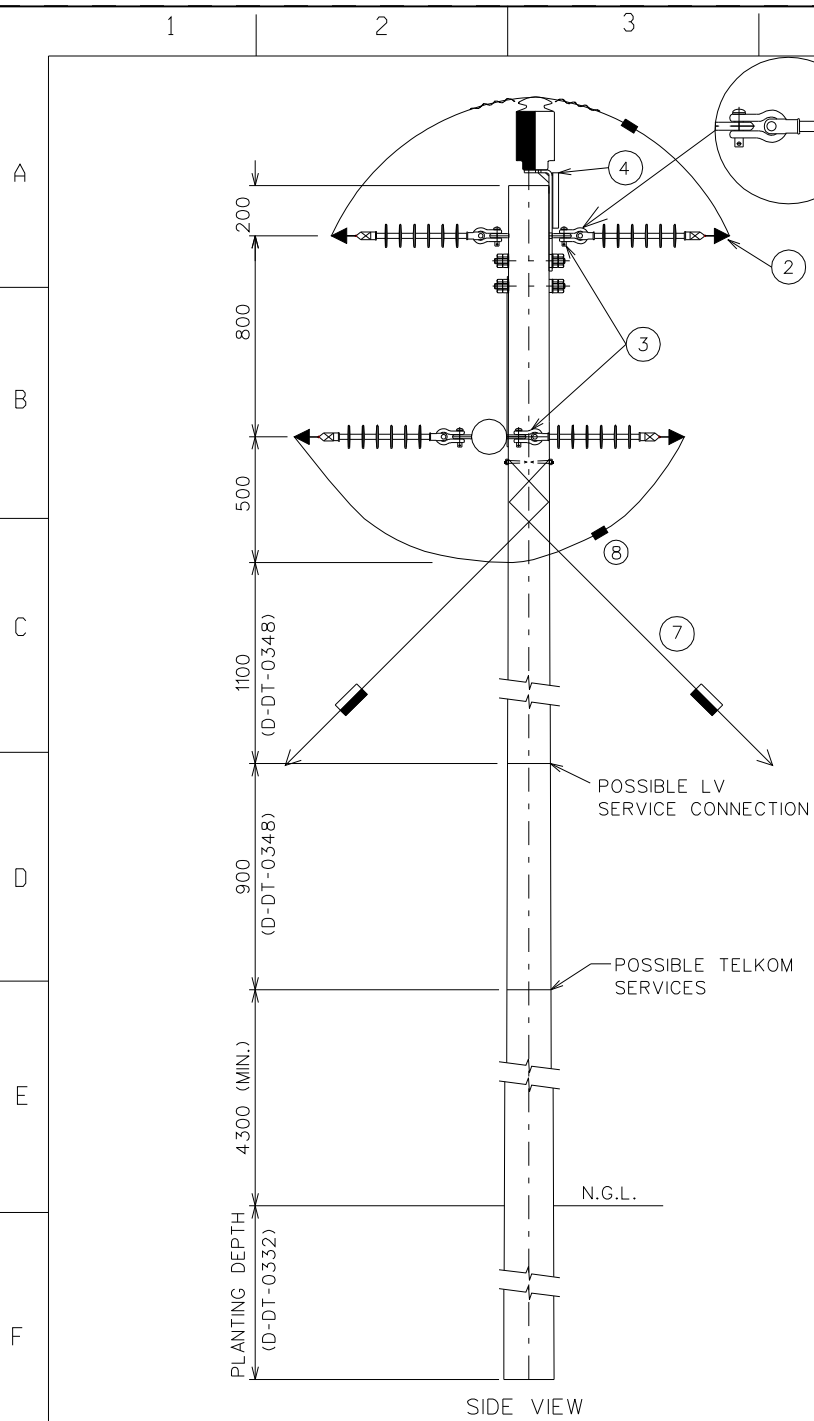
AUTH: B.BRANFIELD  
DATE: 11.01.1999  
CHKD: B.BRANFIELD  
DATE: 11.01.1999  
DRAWN: P.A. VERMAAK  
DATE: 07.05.1998

MV THREE PHASE  
600mm PHASE SPACING  
DELTA - 2500 WOODEN CROSSARM  
STRAIN - 0 DEG. DEVIATION

D-DT-1743

SET	SHEET	REVISION
2	1	7

NOTE :  
NOT SUITABLE FOR MINK  
AND HARE CONDUCTORS



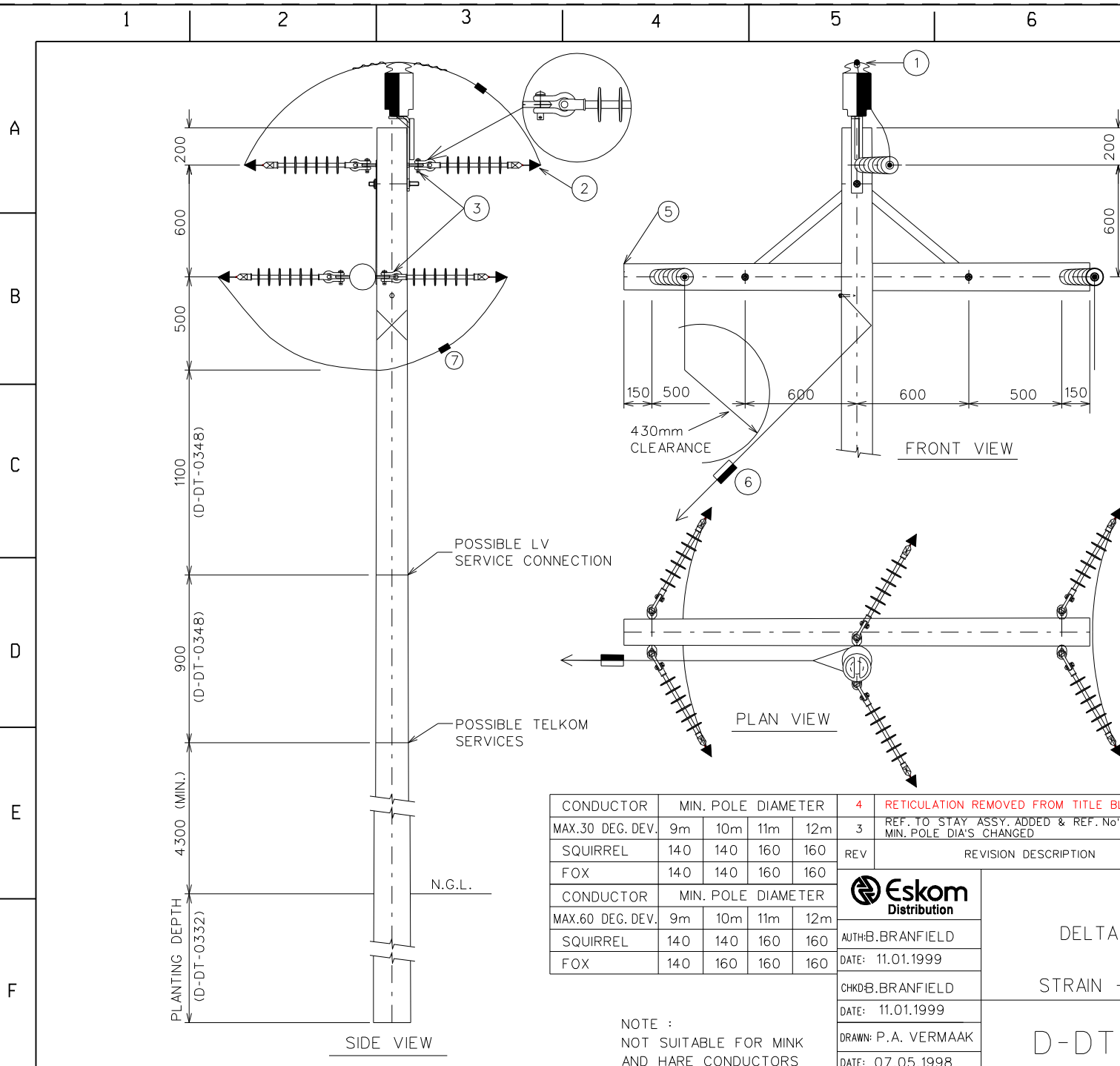
NOTE :  
NOT SUITABLE FOR MINK  
AND HARE CONDUCTORS

REFERENCE DRAWINGS		
ITEM	DESCRIPTION	DWG NO
CONDUCTOR / INSULATOR ATTACHMENTS		
1	POSTS -TOP GROOVE TIES	D-DT-0256
2	STRAINS -HELICAL DEAD-END -PISTOL GRIPS	D-DT-0250 D-DT-0251
INSULATOR / STRUCTURE ATTACHMENTS		
3	STRAINS -EYEBOLT	D-DT-0373
4	INSULATOR SUPPORT -INTERMEDIATE ASSEMBLY POLE TOP BRACKET	D-DT-0383
5	POSTS -SHORT SPINDLE	D-DT-0390
X-ARM STRUCTURE ATTACHMENTS		
6	STRAINS -2500 WOOD CROSSARM/POLE	D-DT-0316
BONDING AND EARTHING		
INSULATION CO-ORDINATE		D-DT-0310
STAYS		
7	STAY ASSEMBLY STAY ATTACHMENTS	D-DT-0341 D-DT-0312
PHASING		
PHASE CONFIGURATION		D-DT-0311
JOINTS		
8	NON-TENSION JOINTS	CHOICE

7	RETICULATION REMOVED FROM TITLE BLOCK	N.M.	P.A.T.	P.A.T.	19.09.2009	
6	600 PHASE SPACING ADDED	P.A.V.	B.HILL	B.HILL	06.09.2007	
REV	REVISION DESCRIPTION	BY	CHKD	AUTH	DATE	PROJECT NO.

	MV THREE PHASE 800mm PHASE SPACING DELTA - 2500 WOODEN CROSSARM STRAIN - 0 DEG. DEVIATION						
	AUTH: B.BRANFIELD				SET	SHEET	REVISION
	DATE: 11.01.1999				2	2	7
	CHKD: B.BRANFIELD						
DATE: 11.01.1999							
DRAWN: P.A. VERMAAK							
DATE: 07.05.1998							

D-DT-1743



REFERENCE DRAWINGS		
ITEM	DESCRIPTION	DWG NO
CONDUCTOR / INSULATOR ATTACHMENTS		
1	POSTS -TOP GROOVE TIES	D-DT-0256
2	STRAINS -HELICAL DEAD-END -PISTOL GRIPS	D-DT-0250 D-DT-0251
INSULATOR / STRUCTURE ATTACHMENTS		
3	STRAINS -EYEBOLT	D-DT-0373
4	POSTS -SHORT SPINDLE	D-DT-0390
X-ARM STRUCTURE ATTACHMENTS		
5	STRAINS -2500 WOOD CROSSARM/POLE	D-DT-0316
BONDING AND EARTHING		
INSULATION CO-ORDINATE		D-DT-0310
STAYS		
6	STAY ATTACHMENTS STAY ASSEMBLY	D-DT-0312 D-DT-0341
PHASING		
PHASE CONFIGURATION		D-DT-0311
JOINTS		
7	NON-TENSION JOINTS	CHOICE

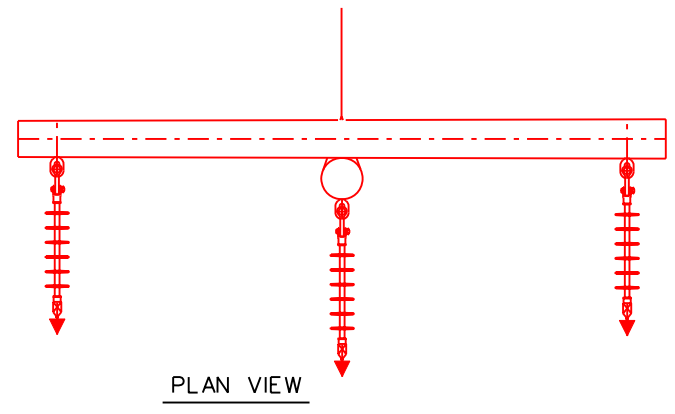
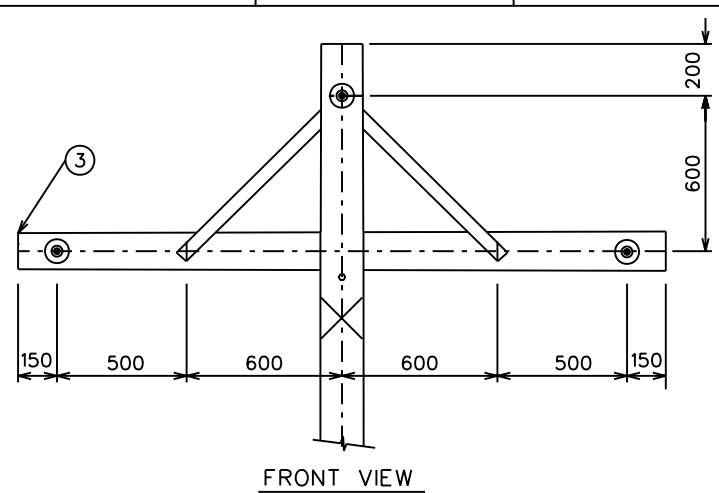
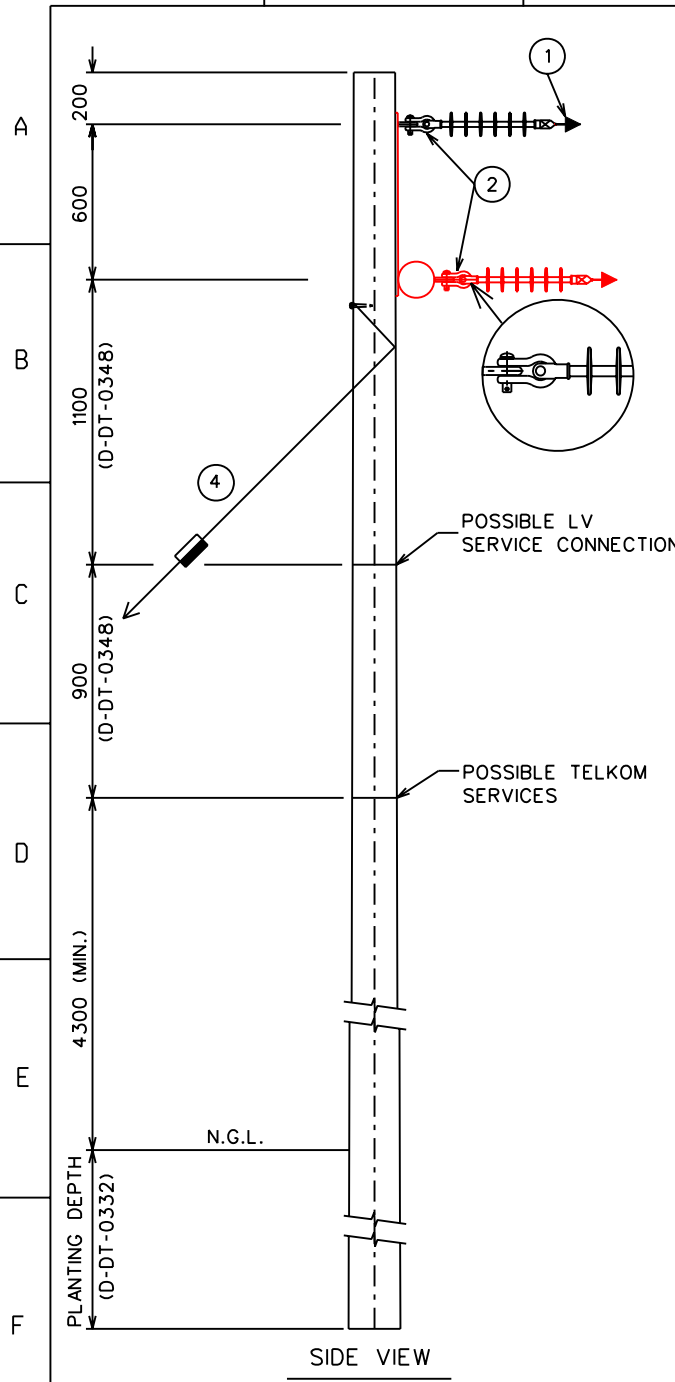
CONDUCTOR	MIN. POLE DIAMETER			
MAX.30 DEG. DEV.	9m	10m	11m	12m
SQUIRREL	140	140	160	160
FOX	140	140	160	160
CONDUCTOR	MIN. POLE DIAMETER			
MAX.60 DEG. DEV.	9m	10m	11m	12m
SQUIRREL	140	140	160	160
FOX	140	160	160	160

REV	REVISION DESCRIPTION	BY	CHKD	AUTH	DATE	PROJECT NO.
4	RETICULATION REMOVED FROM TITLE BLOCK	N.M.	P.A.T.	P.A.T.	19.09.09	
3	REF. TO STAY ASSY. ADDED & REF. No'S AND MIN. POLE DIA'S CHANGED	PBM	B. HILL	B. HILL	08.12.05	

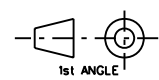
  

	MV THREE PHASE		
	DELTA - 2500 WOODEN CROSSARM		
	STRAIN - MEDIUM (1-60) DEG. DEVIATION		
	D-DT-1744	SET	SHEET
	1	1	4

NOTE :  
NOT SUITABLE FOR MINK  
AND HARE CONDUCTORS



NOTE :  
NOT SUITABLE FOR MINK  
AND HARE CONDUCTORS

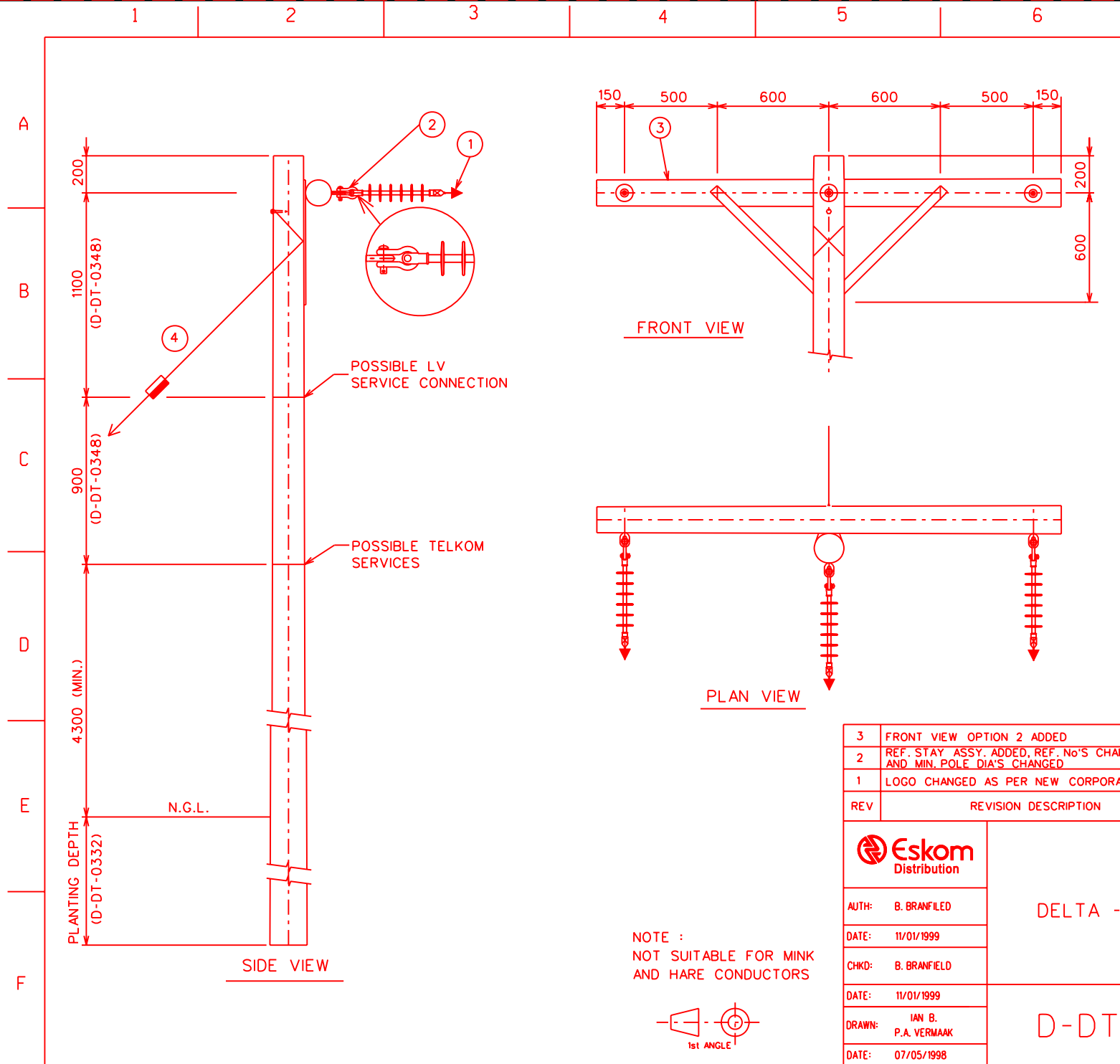


REFERENCE DRAWINGS		
ITEM	DESCRIPTION	DWG NO
CONDUCTOR / INSULATOR ATTACHMENTS		
1	STRAINS -HELICAL DEAD-END -PISTOL GRIPS	D-DT-0250 D-DT-0251
INSULATOR / STRUCTURE ATTACHMENTS		
2	STRAINS -EYEBOLT	D-DT-0375
X-ARM STRUCTURE ATTACHMENTS		
3	STRAINS -2500 WOOD CROSSARM/POLE	D-DT-0316
BONDING AND EARTHING		
INSULATION CO-ORDINATE		D-DT-0310
STAYS		
4	STAY ATTACHMENTS STAY ASSEMBLY	D-DT-0312 D-DT-0341
PHASING		
PHASE CONFIGURATION		D-DT-0311

CONDUCTOR	MIN. POLE DIAMETER			
	9m	10m	11m	12m
0 DEG. DEV.	140	140	160	160
SQUIRREL	140	160	160	160
FOX	140	160	160	160

3	FRONT VIEW OPTION 2 ADDED	P.A.T.	B.HILL	14.01.10		
2	REF. STAY ASSY. ADDED, REF. No'S CHANGED AND MIN. POLE DIA'S CHANGED	PBM	B.HILL	08.12.05		
1	LOGO CHANGED AS PER NEW CORPORATE ID	M.T.M.	P.A. VERMAAK	10.11.04		
REV	REVISION DESCRIPTION	BY	CHKD	AUTH	DATE	PROJECT NO.

	ESKOM					
	MV THREE PHASE					
	DELTA - 2500 WOODEN CROSSARM					
	STRAIN - TERMINAL <b>(OPTION A)</b>					
AUTH: B. BRANFIELD DATE: 11/01/1999 CHKD: B. BRANFIELD DATE: 11/01/1999 DRAWN: IAN B. P.A. VERMAAK DATE: 07/05/1998	<b>D-DT-1746</b>			SET <b>2</b>	SHEET <b>1</b>	REVISION <b>3</b>



REFERENCE DRAWINGS		
ITEM	DESCRIPTION	DWG NO
CONDUCTOR / INSULATOR ATTACHMENTS		
1	STRAINS -HELICAL DEAD-END -PISTOL GRIPS	D-DT-0250 D-DT-0251
INSULATOR / STRUCTURE ATTACHMENTS		
2	STRAINS -EYEBOLT	D-DT-0375
X-ARM STRUCTURE ATTACHMENTS		
3	STRAINS -2500 WOOD CROSSARM/POLE	D-DT-0316
BONDING AND EARTHING		
INSULATION CO-ORDINATE		D-DT-0310
STAYS		
4	STAY ATTACHMENTS STAY ASSEMBLY	D-DT-0312 D-DT-0341
PHASING		
PHASE CONFIGURATION		D-DT-0311

CONDUCTOR	MIN. POLE DIAMETER			
0 DEG. DEV.	9m	10m	11m	12m
SQUIRREL	140	140	160	160
FOX	140	160	160	160

REV	REVISION DESCRIPTION	BY	CHKD	AUTH	DATE	PROJECT NO.
3	FRONT VIEW OPTION 2 ADDED	P.A.T.	B.HILL		14.01.10	
2	REF. STAY ASSY. ADDED, REF. No'S CHANGED AND MIN. POLE DIA'S CHANGED	PBM	B.HILL		08.12.05	
1	LOGO CHANGED AS PER NEW CORPORATE ID	M.T.M.	P.A. VERMAAK		10.11.04	

**Eskom**  
Distribution

AUTH: B. BRANFIELD  
DATE: 11/01/1999  
CHKD: B. BRANFIELD  
DATE: 11/01/1999  
DRAWN: IAN B. P.A. VERMAAK  
DATE: 07/05/1998

ESKOM

MV THREE PHASE  
DELTA - 2500 WOODEN CROSSARM  
STRAIN - TERMINAL  
(OPTION B)

D-DT-1746

SET	SHEET	REVISION
2	2	3

NOTE :  
NOT SUITABLE FOR MINK  
AND HARE CONDUCTORS





A

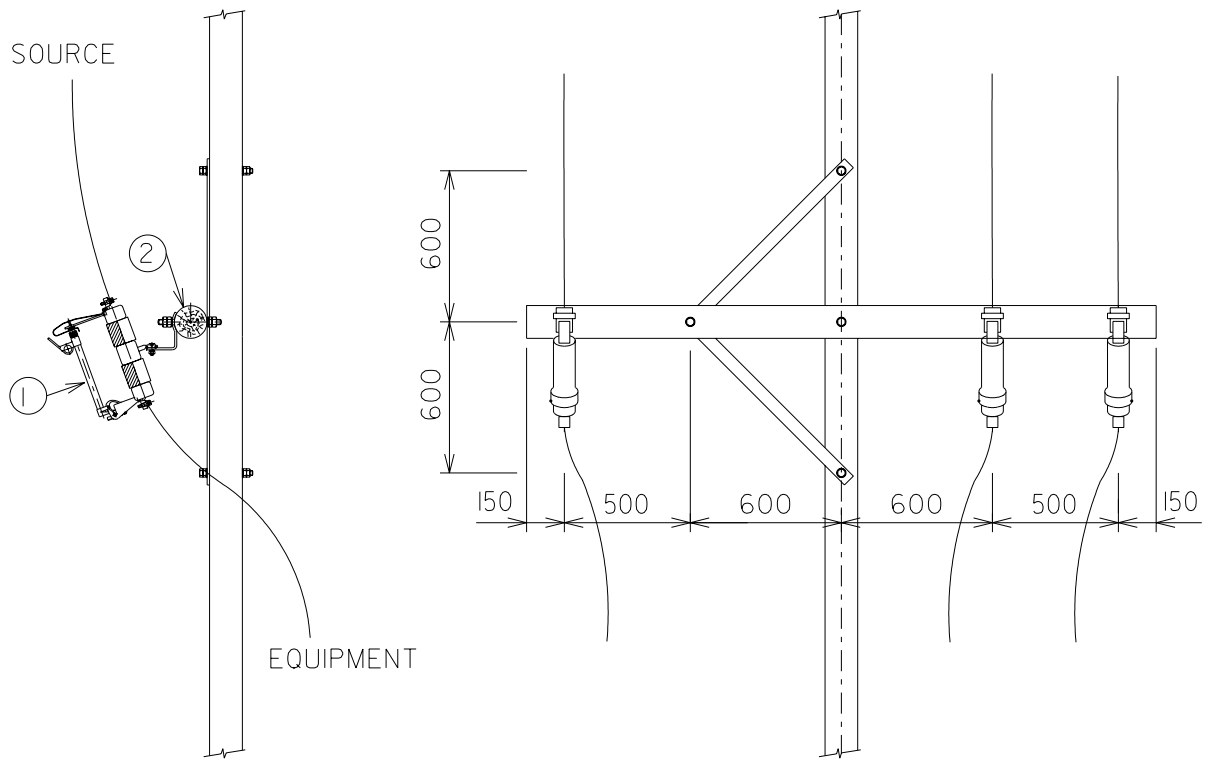
A

B

B

C

C



NOTE :

- 1. MAXIMUM UNSUPPORTED JUMPER LENGTH 3000.
- 2. COVERED JUMPERS TO BE USED.

D

D

REF	DESCRIPTION	DRAWING NO.
1	FUSE-CUT/OUT ASSEMBLY OR DISCONNECTOR ASSEMBLY	(D-DT-0290 OR D-DT-0293)
2	2500 WOOD CROSSARM ASSEMBLY	(D-DT-0316)

E

E

REV	REVISION DESCRIPTION	BY	CHKD	AUTH	DATE	PROJECT NO.
1	DISCONNECTOR ASSEMBLY ADDED TO SCHEDULE	P.A.V.	R.THERON	R.THERON	09.02.04	

F

F



AUTH: B.BRANFIELD

DATE: 13.01.1999

CHKD: B.BRANFIELD

DATE: 13.01.1999

DRAWN: P.A.VERMAAK

DATE: 08.10.1998

EQUIPMENT LINKS  
CUT/OUTS OR DISCONNECTORS  
2500 WOOD CROSSARM/SINGLE POLE

D-DT-1849

SET

SHEET

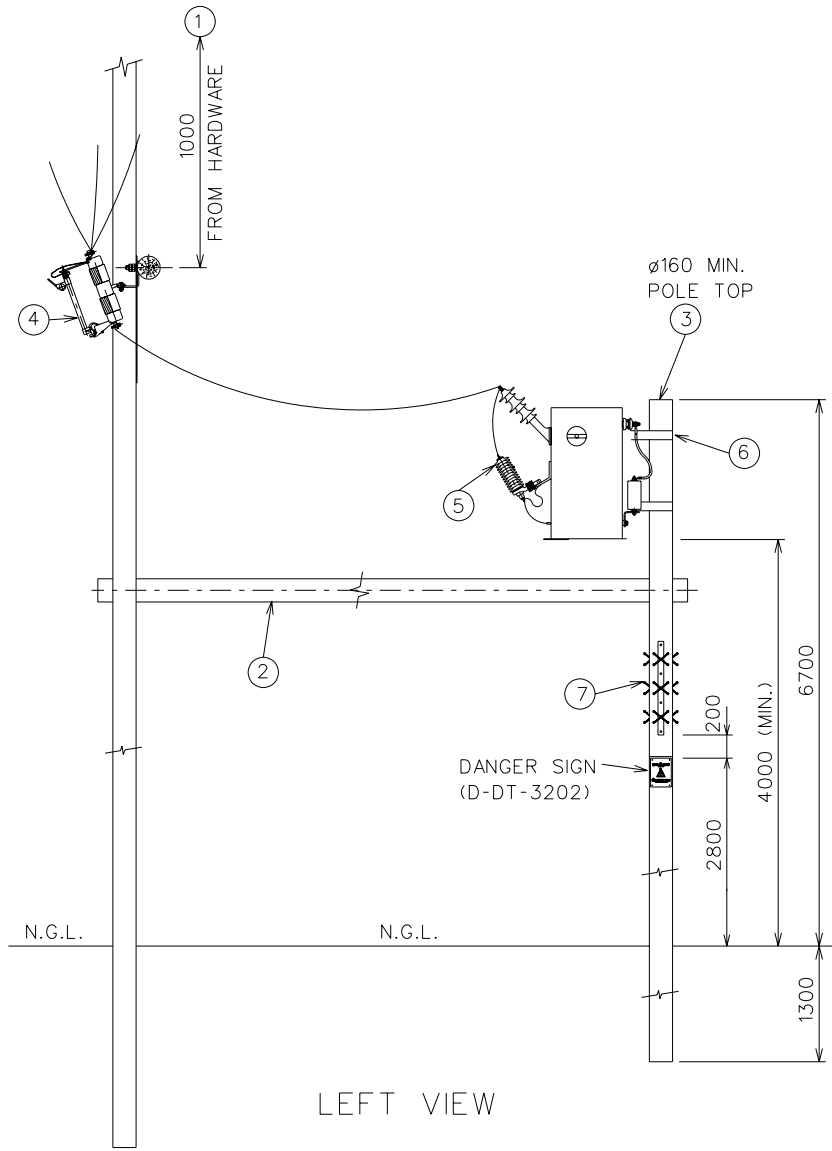
REVISION

|

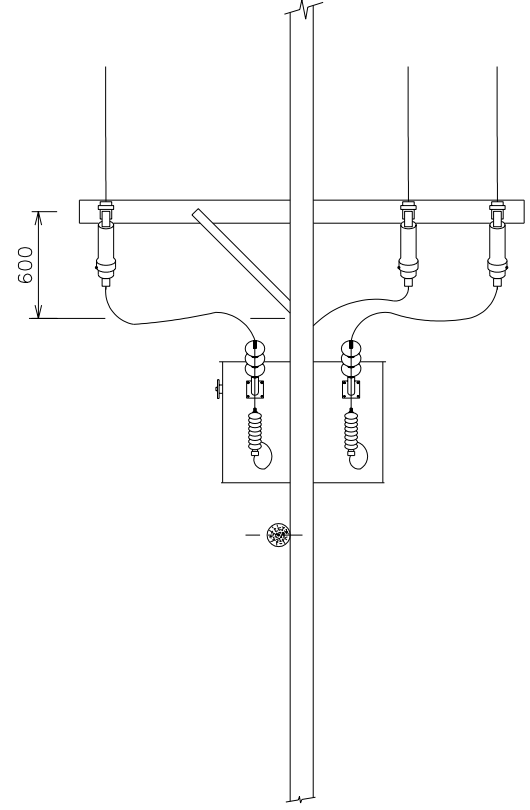
|

|

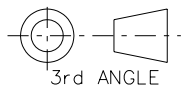
A  
B  
C  
D  
E  
F



LEFT VIEW



FRONT VIEW



REFERENCE DRAWINGS		
ITEM	DESCRIPTION	DWG NO
STRUCTURES		
1	SINGLE POLES	D-DT-1700 TO D-DT-1749
X-ARM STRUCTURES		
2	STRAIN -2.5m CROSSARM	D-DT-0316
3	-3.5m CROSSARM -8.0m CROSSARM	D-DT-0317 D-DT-0065
EQUIPMENT ATTACHMENTS		
4	-EQUIPMENT LINKS	D-DT-1849 D-DT-1850 D-DT-1869
5	-SURGE ARRESTERS	D-DT-0270
6	-TRANSFORMER MOUNTING SINGLE POLE	D-DT-0261
7	-ANTI-CLIMBING DEVICE	D-DT-0399
EQUIPMENT EARTHING		
	-TRANSFORMER SINGLE POLE MOUNTED - EARTHING DETAIL	D-DT-1860 (Sheet 2)

REV	REVISION DESCRIPTION	BY	CHKD	AUTH	DATE	PROJECT NO.
3	ANTI-CLIMBING DEVICE DRAWING NO. CORRECTED	P.A.V.				
2	REFERENCE TO ANTI-CLIMBING DEVICE ON BOTH POLES REMOVED FROM FRONT VIEW	P.A.V.	R.THERON	R.THERON	10.07.2003	
1	VARIOUS CHANGED DONE, ANTI-CLIMBING AND DANGER SIGNS ADDED	P.A.V.	R.THERON	R.THERON	06.06.2003	

<b>Eskom Distribution</b>	
AUTH:	P. CROWDY
DATE:	06/12/2000
CHKD:	R. THERON
DATE:	06/12/2000
DRAWN:	P. VERMAAK
DATE:	14/01/1999

MV RETICULATION  
TRANSFORMER 5-100kVA  
SINGLE POLE MOUNTED 'OUT-OF-LINE'  
GENERAL ARRANGEMENT

D-DT-1866

SET	SHEET	REVISION
1	1	3