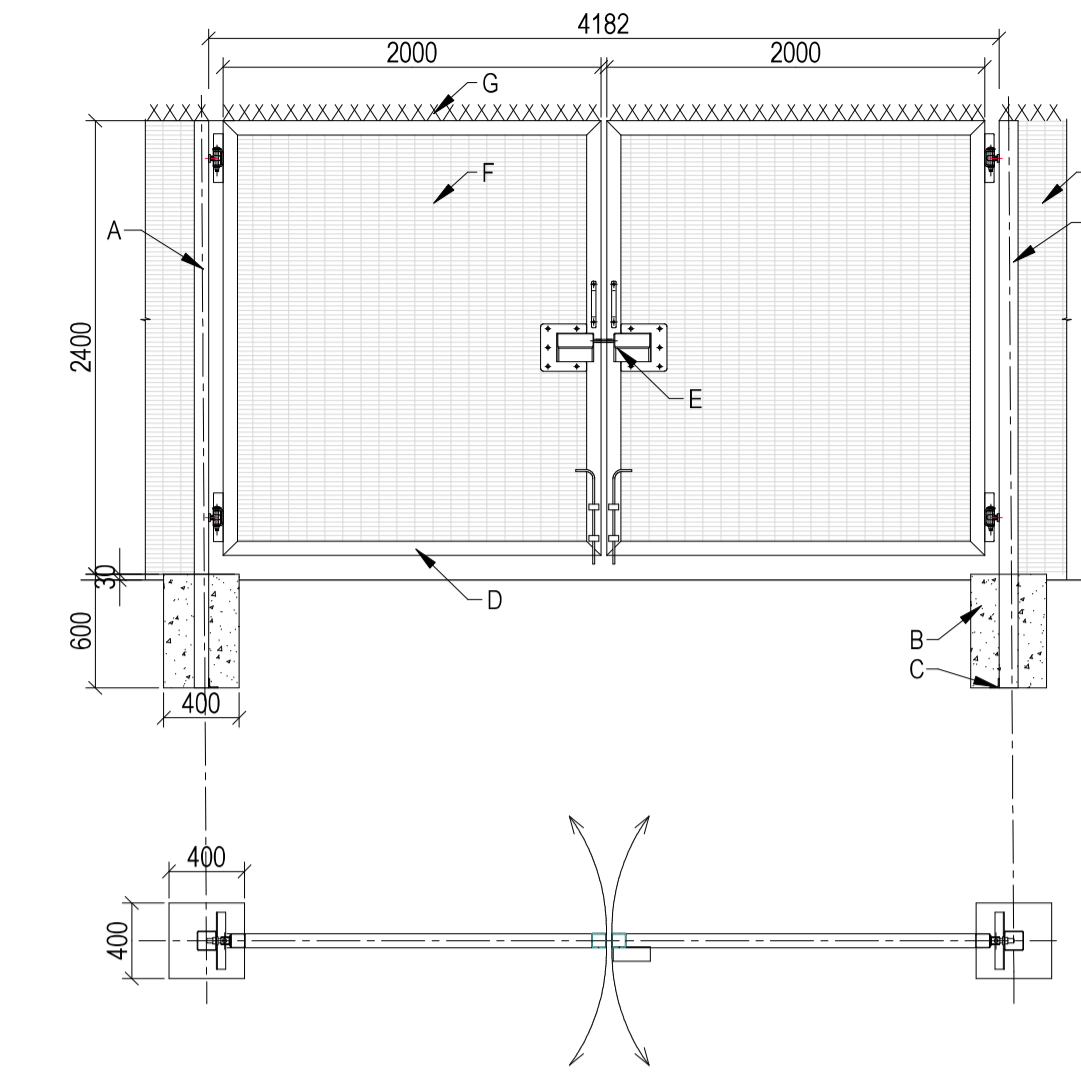
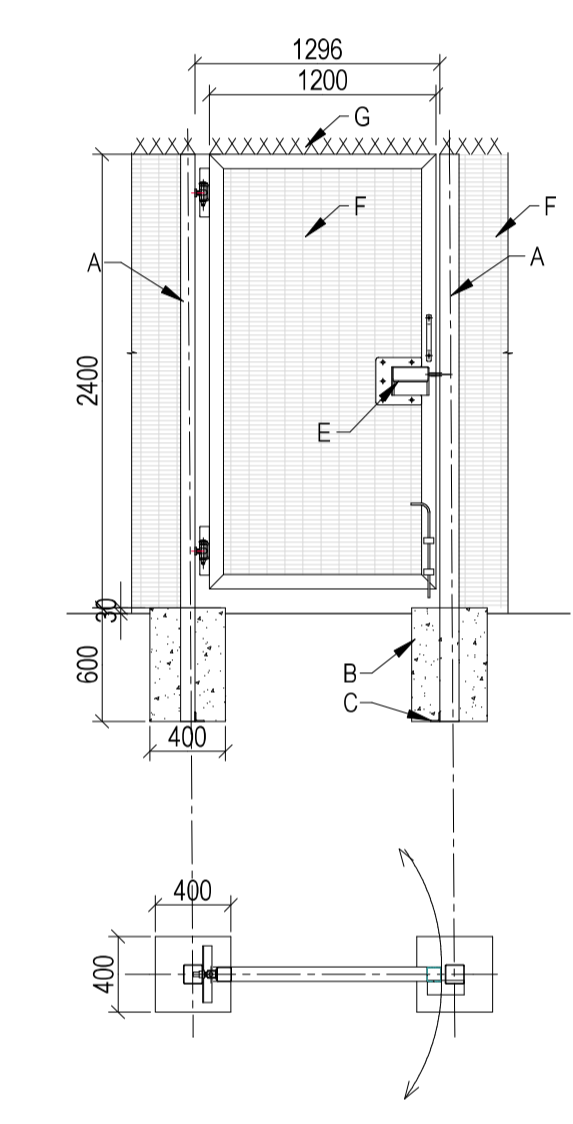


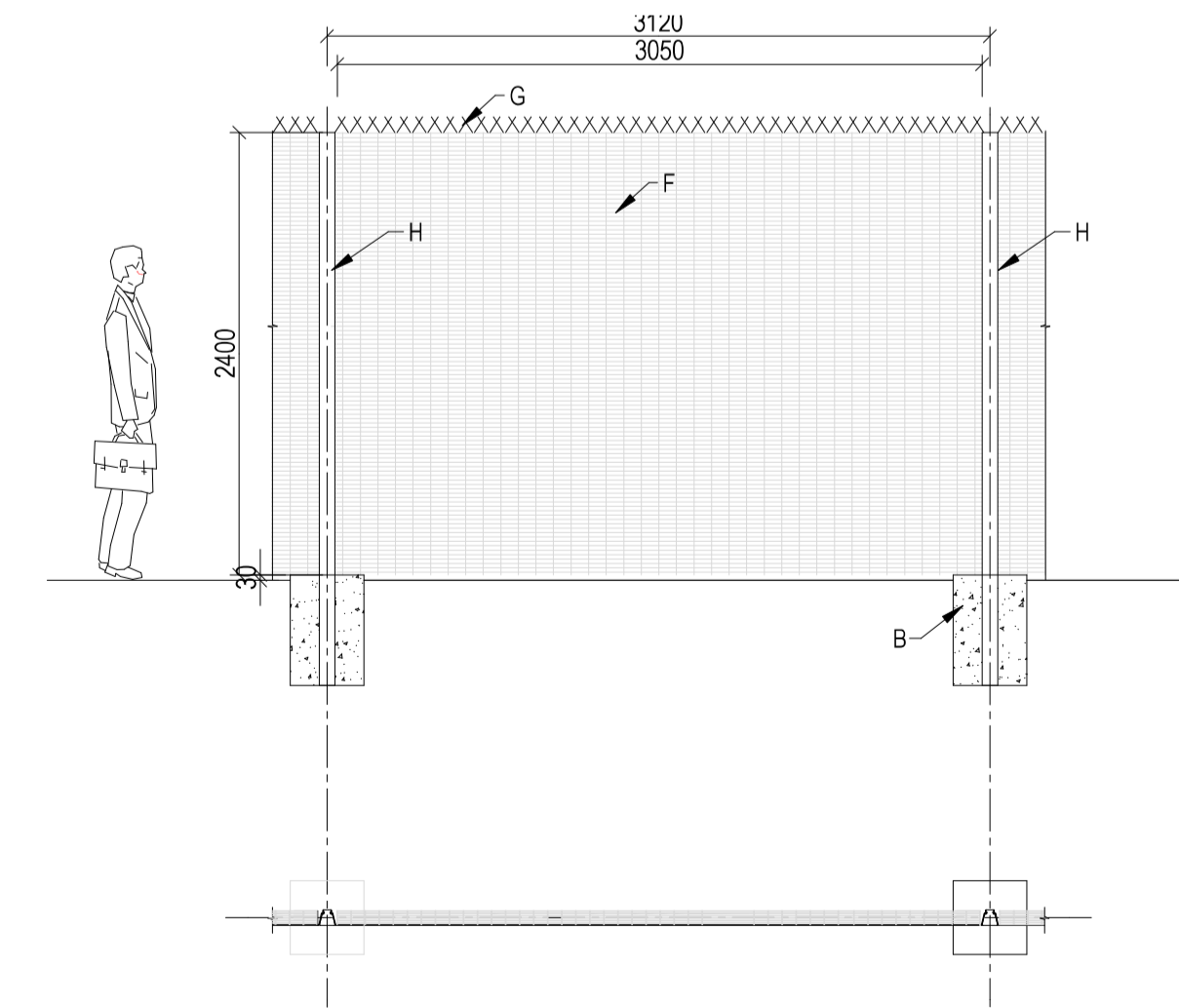
CLEARVU PERIMETER FENCING LAYOUT
SCALE 1:250 (A1)



4m CLEARVU SWING GATE LAYOUT AND SECTION
N.T.S.



1.2m CLEARVU PEDESTRIAN GATE LAYOUT AND SECTION
N.T.S.



CLEARVU PANEL LAYOUT AND SECTION
N.T.S.

GENERAL NOTES

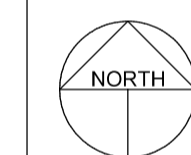
1. ALL WORK TO BE EXECUTED IN STRICT COMPLIANCE WITH SABS 10400 and SANS 2001.
2. ALL LOADS IN ACCORDANCE WITH SANS 10160 PERMISSIBLE SUPERIMPOSED LOADS.
3. ALL DIMENSIONS TO BE CHECKED ON THE SITE AND ANY DISCREPANCIES TO BE REPORTED TO THE ENGINEER IMMEDIATELY BEFORE COMMENCING WITH ANY WORK.
4. WRITTEN DIMENSIONS TO BE USED IN PREFERENCE TO SCALED DIMENSIONS.
5. DRAWINGS MAY NOT BE SCALED FROM PRINTS DUE TO DISTORTION OF PRINTS.
6. REFER TO STANDARD CONSTRUCTION NOTES.

LEGEND

- A. 85mm PVC COATED SQUARE TUBE POST.
- B. 400x400x600mm 15MPa/20mm CONCRETE BASE.
- C. BASE PIN – 50x50x3mm ANGLE, 300mm LONG.
- D. 4000mm DOUBLE SWING GATE.
- E. LOCKING DEVICE, T-SLIDE LOCK, WITH LOCK BOX.
- F. 2400mm (H) HIGH DENSITY PVC COATED MESH FENCE.
- G. 80 x 2mm PVC COATED Z-PROFILE SAW TOOTH TOP GUARD BOLTED TO TOP OF PANEL.
- H. 85mm PVC COATED H-SHAPED POST OR END POSTS, 3000mm LONG, WITH AND INCLUDING LOCKING MECHANISM FIXATORS SECURED TO POSTS.

QUANTITIES

1. FENCING = 403.5m
2. 4m SWING GATES = 4
3. 1.2m PED. GATES = 2



2026.05.06	0	ISSUED FOR INFORMATION.	HJV
DATE	REVISION		BY

NOTE: COPYRIGHT IS VESTED IN THIS DOCUMENT AND NO USE OR REPRODUCTION OR DUPLICATION THEREOF MAY OCCUR WITHOUT THE WRITTEN CONSENT OF THE AUTHOR.

CLIENT
SENQU MUNICIPALITY

PROJECT
BARKLY EAST TOWN HALL COMPLETION CONTRACT

TITLE
CLEARVU PERIMETER FENCING LAYOUT and DETAILS

CIVIL & STRUCTURAL ENGINEER
SKCM
SKCMasakhizwe Eastern Cape (Pty) Ltd
CONSULTING ENGINEERS
14 QUEENS TERRACE ALIVHAL NORTH 9750
TEL: (051) 634-1847
P.O. BOX 578 ALIVHAL NORTH 9750
FAX: (051) 650 7254
Web: www.skcm.co.za
eMail: eastcape@skcm.co.za

DRAWN HJV	CHECKED MLX	DESIGNED AMP
APPROVED	DESIGNED	
M.J. LE ROUX (P. Eng. 20080187)	A.M. PRINSLOO (P. Eng. 20190579)	
DATE MAY 2026	SCALE 1: 250 (A1)	
DISCIPLINE CIVIL & STRUCTURAL	DRAWING STATUS	

DRAWING NUMBER FA7005-10-01100	REVISION 0
--	----------------------